

3200 & 5200

GUÍA DEL PROPIETARIO DE LA PARRILLA DE GAS NATURAL - PG 24

GUIDE DE L'UTILISATEUR DU BARBECUE AU GAZ NATUREL - PG 39

ASSEMBLY, ENSAMBLAJE, ASSEMBLAGE - PG 3

#20208551

Customer Service: 1-800-382-2637

**YOU MUST READ THIS OWNER'S GUIDE
BEFORE OPERATING YOUR GAS GRILL**

NOTICE TO INSTALLER: These instructions must be left with the owner and the owner should keep them for future use.

⚠ DANGER

If you smell gas:

1. Shut off gas to the appliance.
2. Extinguish any open flames.
3. Open lid.
4. If odor continues, keep away from the appliance and immediately call your gas supplier or your fire department.

Leaking gas may cause a fire or explosion which can cause serious bodily injury or death, or damage to property.

**THIS GAS APPLIANCE IS DESIGNED FOR
OUTDOOR USE ONLY.**

⚠ WARNING: Do not try to light this appliance without reading the "Lighting Instructions" section of this manual.

⚠ WARNING:

1. Do not store or use gasoline or other flammable liquids or vapors in the vicinity of this or any other appliance.
2. An LP cylinder not connected for use shall not be stored in the vicinity of this or any other appliance.

⚠ ATTENTION: This product has been safety tested and is only certified for use in a specific country. Refer to country designation located on outer carton.

These parts may be gas carrying or gas burning components. Please contact a Ducane Customer Service Representative in your area for genuine Ducane replacement part(s) information by calling 1-800-382-2637.

⚠ WARNING: Do not attempt to make any repair to gas carrying or gas burning components without contacting Ducane. Your actions, if you fail to follow this product Warning, may cause a fire or an explosion resulting in serious personal injury or death and damage to property.

⚠ WARNING: Follow all leak-check procedures carefully in this manual prior to barbecue operation. Do this even if the barbecue was dealer-assembled.

FOR HOUSEHOLD USE ONLY

**SAVE THESE INSTRUCTIONS FOR
FUTURE REFERENCE**



20208551 03/03/08 NG
US ENGLISH

DANGERS AND WARNINGS

⚠ DANGER

Failure to follow the Dangers, Warnings and Cautions contained in this Owner's Manual may result in serious bodily injury or death, or in a fire or an explosion causing damage to property.

⚠ WARNING

- ⚠ Do not lift the barbecue using the control panel as a handle. Lifting by the control panel can damage gas handling and electrical components. Damage to gas handling and electrical components can result in serious bodily injury or death and damage to property.
- ⚠ Do not store a spare or disconnected liquid propane cylinder under or near this barbecue.
- ⚠ Improper assembly may be dangerous. Please carefully follow the assembly instructions in this manual
- ⚠ After a period of storage, and/or non-use, the Ducane® gas barbecue should be checked for gas leaks and burner obstructions before use. See instructions in this manual for correct procedures.
- ⚠ Do not operate the Ducane® gas barbecue if there is a gas leak present.
- ⚠ Do not use a flame to check for gas leaks.
- ⚠ Combustible materials should never be within 24 inches of the top, bottom, back or sides of your Ducane® gas barbecue.
- ⚠ Do not put a barbecue cover or anything flammable on, or in the storage area under the barbecue.
- ⚠ Your Ducane® gas barbecue should never be used by children. Accessible parts of the barbecue may be very hot. Keep young children away while it is in use.
- ⚠ You should exercise reasonable care when operating your Ducane® gas barbecue. It will be hot during cooking or cleaning and should never be left unattended or moved while in operation.
- ⚠ Should the burners go out while in operation, turn all gas valves off. Open the lid and wait five minutes before attempting to relight using the lighting instructions.
- ⚠ Do not use charcoal or lava rock in your Ducane® gas barbecue.
- ⚠ Never lean over open grill or place hands or fingers on the front edge of the cooking box.
- ⚠ Should a grease fire occur, turn off all burners and leave lid closed until fire is out.
- ⚠ Do not enlarge valve orifices or burner ports when cleaning the valves or burners.
- ⚠ The Ducane® gas barbecue should be thoroughly cleaned on a regular basis.
- ⚠ Liquid propane gas is not natural gas. The conversion or attempted use of natural gas in a liquid propane unit or liquid propane gas in a natural gas unit is dangerous and will void your warranty.
- ⚠ Do not attempt to disconnect any gas fitting while your barbecue is in operation.
- ⚠ Use heat-resistant barbecue mitts or gloves when operating barbecue.
- ⚠ Keep any electrical supply cord and the fuel supply hose away from any heated surfaces.
- ⚠ Combustion byproducts produced when using this product contain chemicals known to the state of California to cause cancer, birth defects, or other reproductive harm.
- ⚠ Do not use this barbecue unless all parts are in place. The unit must be properly assembled according to the instructions outlined in the "Assembly Guide".
- ⚠ Remove all packing material before use.
- ⚠ Do not build this model of grill in any built-in or slide in construction. Ignoring this Warning could cause a fire or an explosion that can damage property and cause serious bodily injury or death.
- ⚠ Proposition 65 Warning: Handling the brass material on this product exposes you to lead, a chemical known to the state of California to cause cancer, birth defects or other reproductive harm.
(Wash hands after handling this product.)

LIQUID PROPANE GAS UNITS ONLY:

- ⚠ Use the regulator that is supplied with your Ducane® gas barbecue.
- ⚠ Do not attempt to disconnect the gas regulator or any gas fitting while your barbecue is in operation.
- ⚠ A dented or rusty liquid propane cylinder may be hazardous and should be checked by your liquid propane supplier. Do not use a liquid propane cylinder with a damaged valve.
- ⚠ Although your liquid propane cylinder may appear to be empty, gas may still be present, and the cylinder should be transported and stored accordingly.
- ⚠ If you see, smell or hear the hiss of escaping gas from the liquid propane cylinder:
 1. Move away from liquid propane cylinder.
 2. Do not attempt to correct the problem yourself.
 3. Call your fire department.

ASSEMBLY, ENSAMBLAJE, ASSEMBLAGE

⚠ **CAUTION:** Although we make every effort to ensure that the assembly process is as easy and as safe as possible, it is inherent with fabricated steel parts that corners and edges can cause cuts if improperly handled during assembly procedures. Be careful while handling any parts during assembly. It is strongly recommended that hands be protected with a pair of work gloves.

⚠ **WARNING:** Care must be taken to ensure that this grill is assembled according to these instructions. Failure to assemble the grill properly could create a fire hazard or cause burns or other bodily harm.

⚠ **WARNING:** Do not lift the barbecue using the control panel as a handle. Lifting by the control panel can damage gas handling and electrical components. Damage to gas handling and electrical components can result in serious bodily injury or death and damage to property.

⚠ **PRECAUCIÓN:** Aunque hacemos todo lo posible para que el proceso de ensamblaje sea tan fácil y seguro, es imposible evitar que, con las partes fabricadas de acero, las esquinas y los bordes causen cortes si no son usados apropiadamente durante el proceso de ensamblaje. **ES MUY RECOMENDABLE QUE LAS MANOS SEAN PROTEGIDAS POR GUANTES DE TRABAJO.**

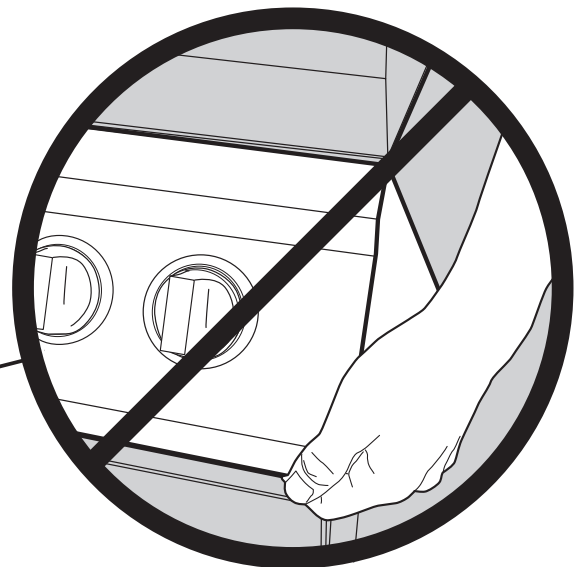
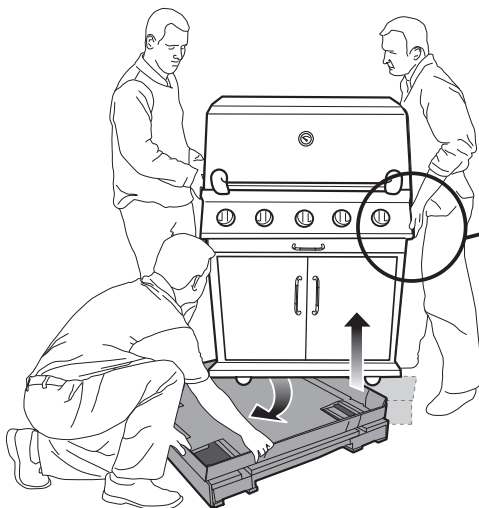
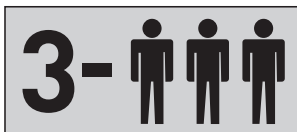
⚠ **ADVERTENCIA:** Debe tener mucho cuidado para asegurar que esta parrilla sea ensamblada de acuerdo a las instrucciones. No cumplir con el ensamblaje apropiado de la parrilla puede causar un peligro o quemaduras u otro tipo de lesiones al cuerpo.

⚠ **ADVERTENCIA:** No levante la barbacoa utilizando el panel de control como asa. El hacerlo pudiera dañar los componentes eléctricos y de manejo del gas. Daños a los componentes eléctricos y de manejo del gas pudieran resultar en lesiones corporales graves e incluso la muerte, además de daños a la propiedad.

⚠ **ATTENTION:** Bien que nous faisons tous les efforts possibles pour s'assurer que le processus d'assemblage soit aussi facile et sécuritaire que possible, il est inhérent que la fabrication de pièces métalliques laissent des coins et des bords tranchants qui puissent causer des blessures lors de la manipulation incorrecte pendant les procédures d'assemblage. Soyez prudent lors de la manipulation de toute pièce durant l'assemblage. **IL EST FORTEMENT RECOMMANDÉ DE PORTER DES GANTS POUR PROTÉGER VOS MAINS.**

⚠ **AVERTISSEMENT:** Soyez attentif pour vous assurer que le gril est assemblé selon ces consignes. L'omission d'assembler ce gril correctement pourrait poser un danger ou causer des brûlures ou tout autre blessure corporelle.

⚠ **AVERTISSEMENT:** N'utilisez pas le panneau de contrôle comme poignée pour lever le barbecue. Le fait de lever par le panneau de contrôle peut endommager les pièces liées au gaz et à l'électricité. Tout dommage aux pièces liées au gaz et à l'électricité peut provoquer des blessures graves ou mortelles et des dégâts matériels.

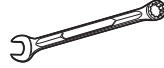
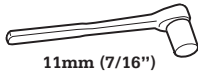


ASSEMBLY, ENSAMBLAJE, ASSEMBLAGE

TOOLS NEEDED:

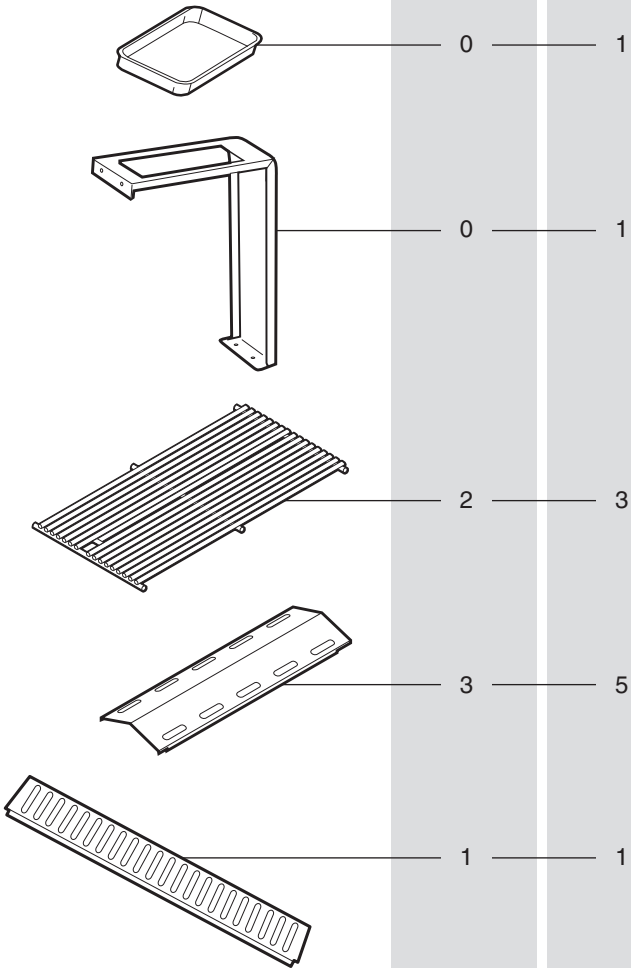
HERRAMIENTAS REQUERIDAS:

Outils NECESSAIRES:

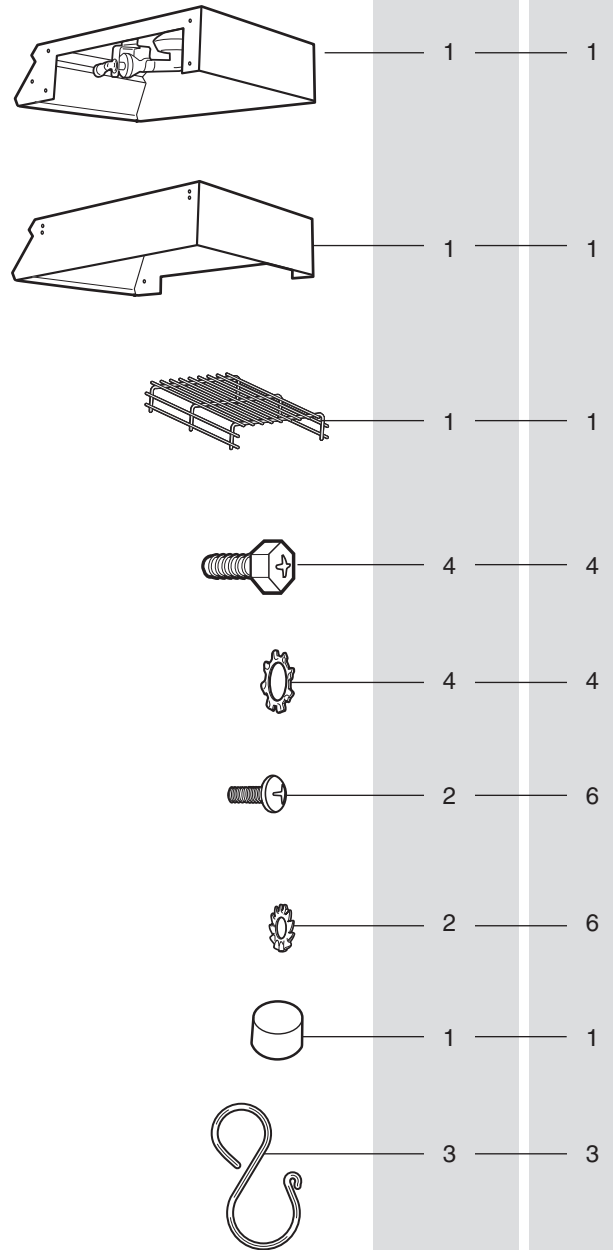


11mm (7/16'')

3 BRNR. 5 BRNR.

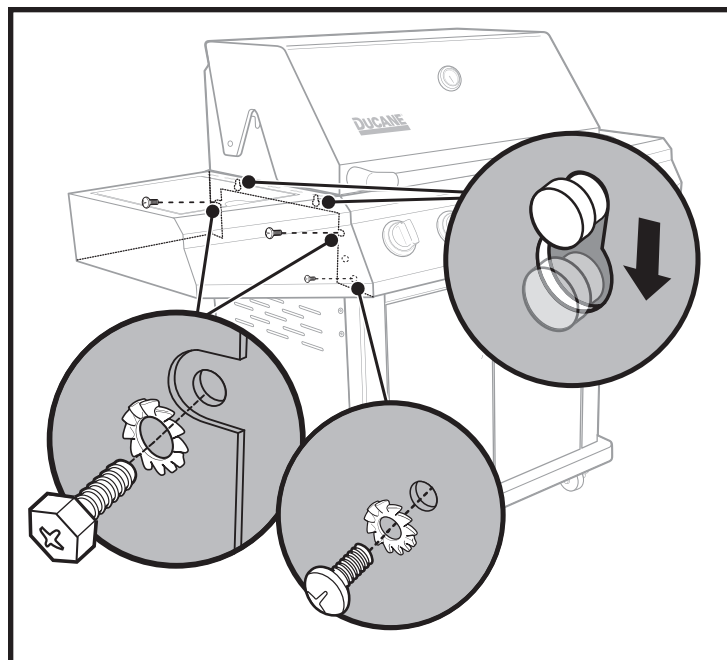
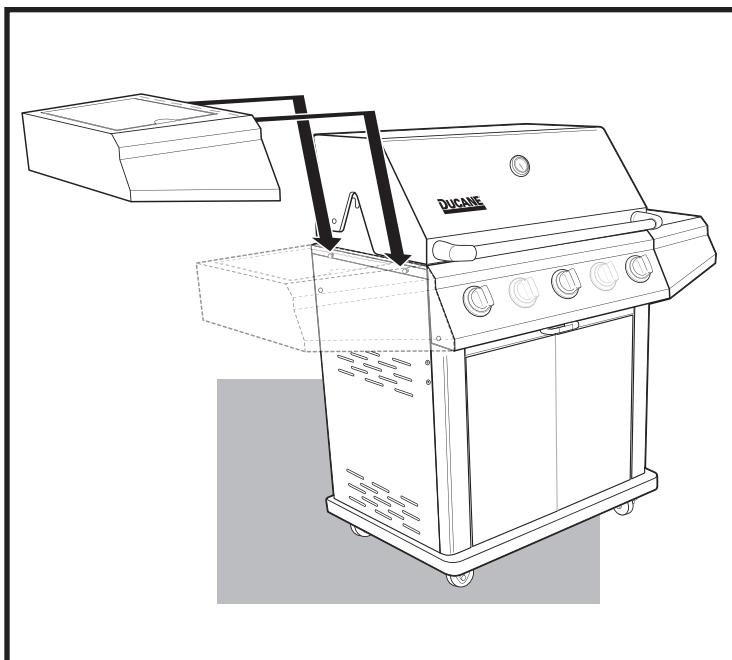
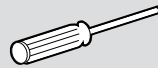
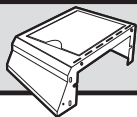


3 BRNR. 5 BRNR.



ASSEMBLY, ENSAMBLAJE, ASSEMBLAGE

1



NOTE: The two (2) lower bolts used to install the stainless steel side shelf (s) are threaded into the grill cart on the both sides of the grill. Remove the bolts and re-install when attaching the stainless steel side shelf (s).

NOTA: los dos (2) pernos inferiores para instalar el (los) anaquel(es) lateral(es) de acero inoxidable van enroscados dentro del carro de la barbacoa a ambos lados de la misma. Retire los pernos y vuélvalos a instalar al colocar el (los) anaquel(es) lateral(es) de acero inoxidable.

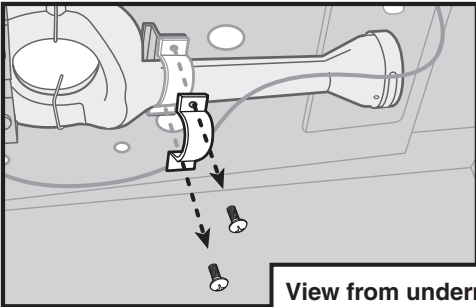
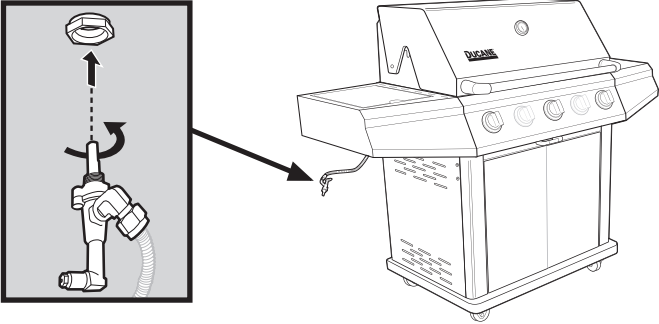
REMARQUE : Les deux (2) boulons inférieurs permettant d'installer la ou les étagère(s) latérale(s) en acier inoxydable sont vissés dans le chariot du grill, des deux côtés du grill. Retirez les boulons puis remettez-les en place lorsque vous fixez la ou les étagère(s) latérale(s) en acier inoxydable.

⚠ CAUTION: Failure to install the Side Burner properly could cause the unit to loosen and fall, causing bodily harm.

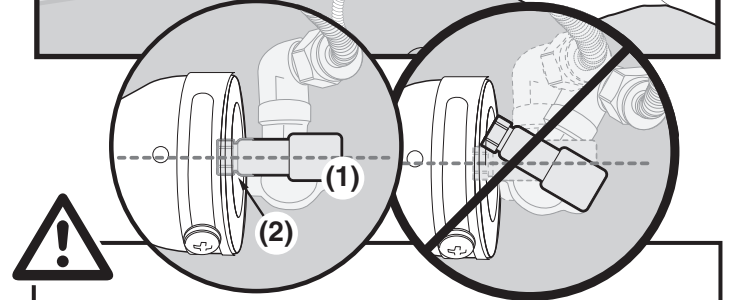
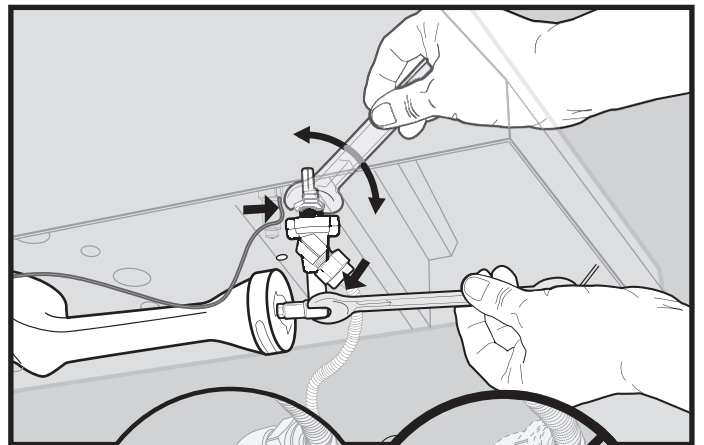
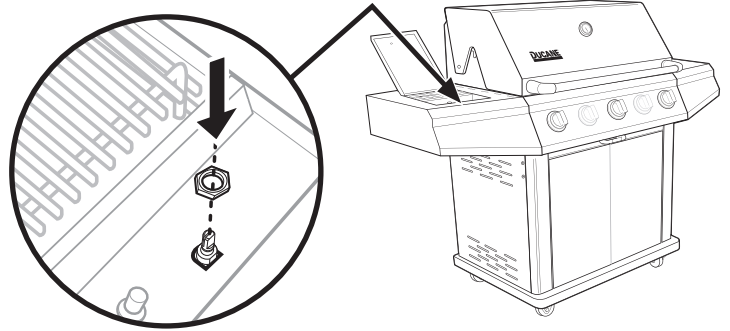
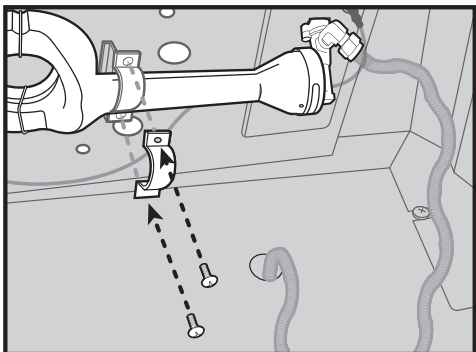
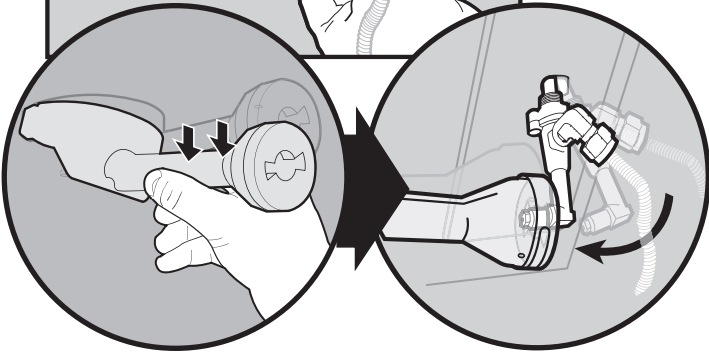
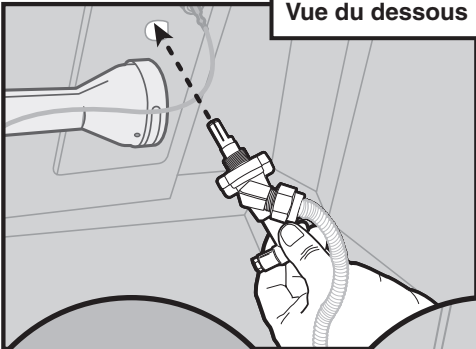
⚠ PRECAUCIÓN: De no instalar la Hornilla Lateral apropiadamente puede causar que la unidad se afloje y caiga causando lesiones al cuerpo.

⚠ AVERTISSEMENT: L'omission d'installer le brûleur latéral correctement pourrait occasionner un desserrage de l'unité et le faire tomber, causant ainsi des blessures corporelles.

2



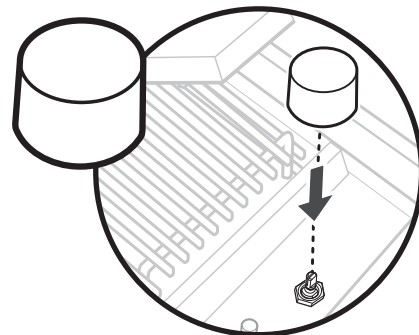
View from underneath
Vista desde abajo
Vue du dessous



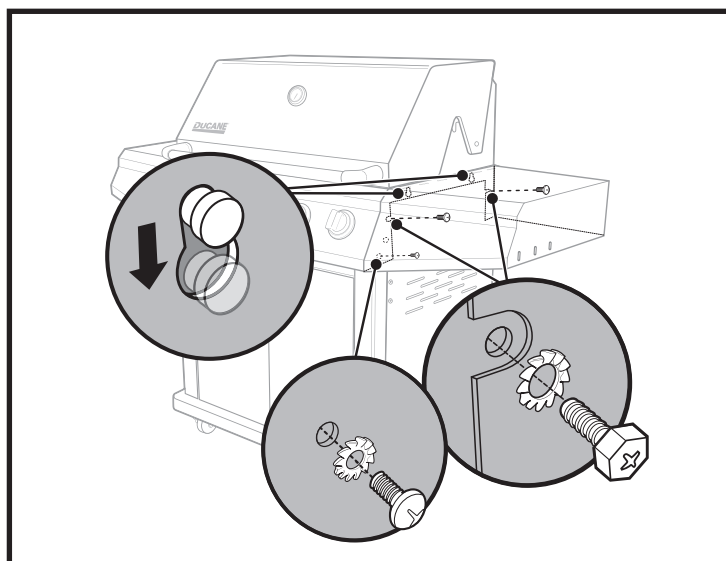
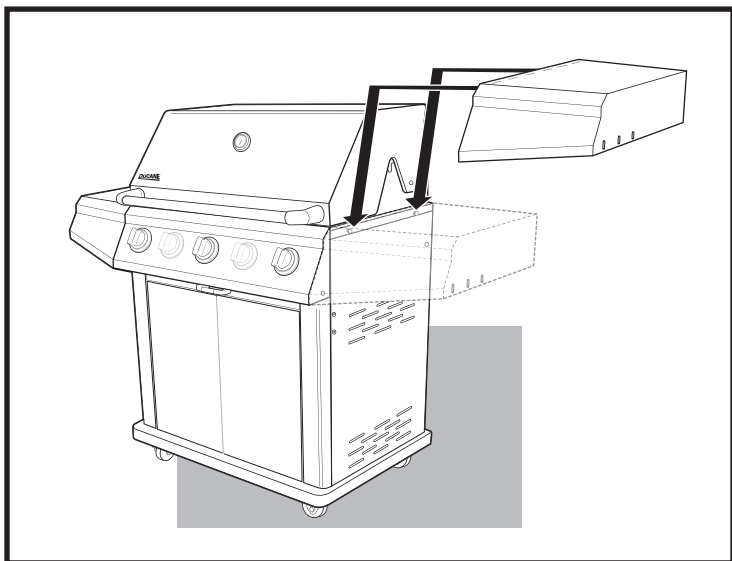
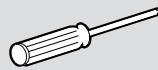
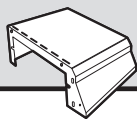
WARNING: The side burner orifice (1) must be parallel to the side burner tube opening (2).

ADVERTENCIA: El orificio (1) del quemador lateral debe de estar paralelo a la abertura (2) del tubo del quemador lateral.

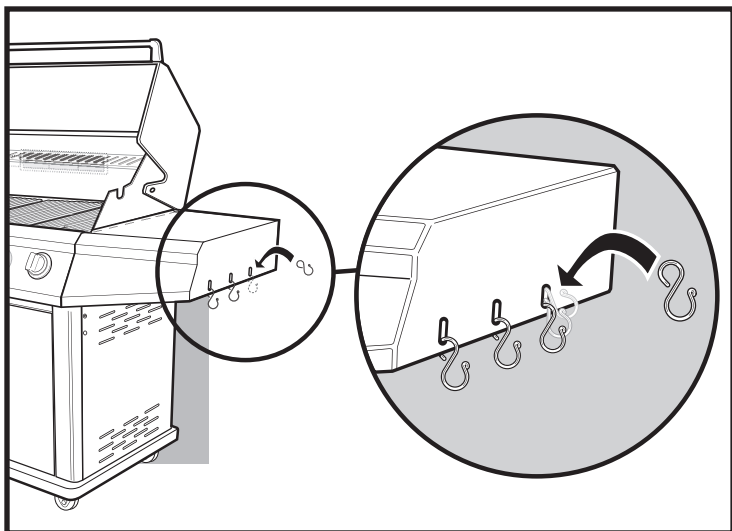
AVERTISSEMENT: L'orifice du brûleur latéral (1) doit être parallèle à l'ouverture du tube du brûleur latéral (2).



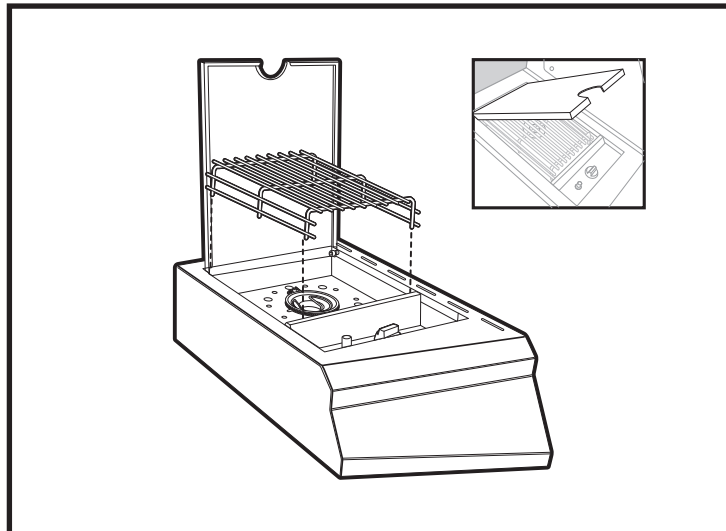
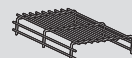
3



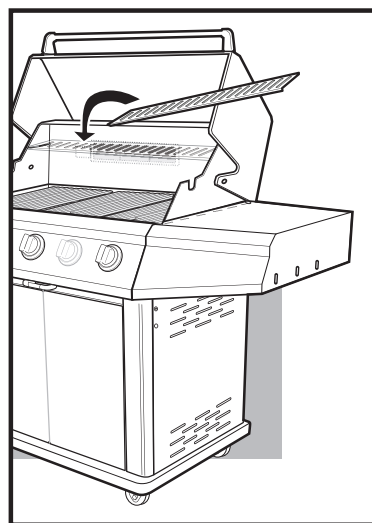
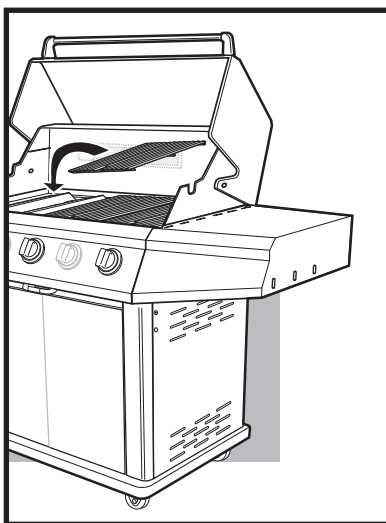
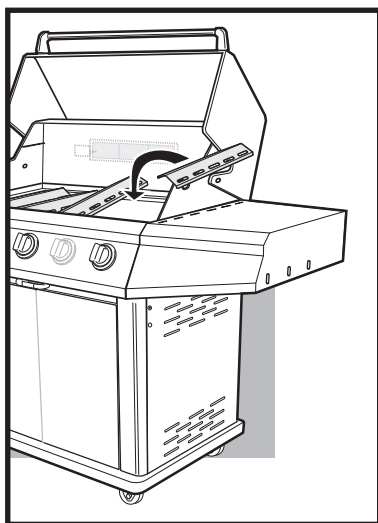
4



5



6



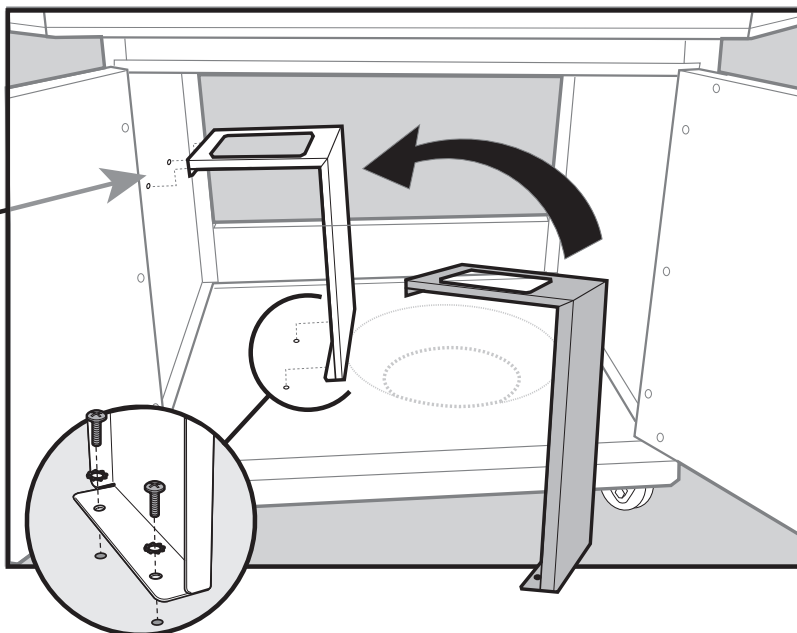
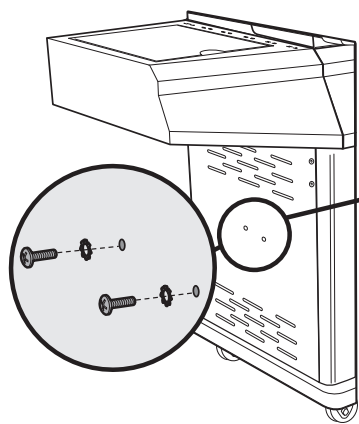
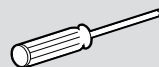
7

5
BRNR.



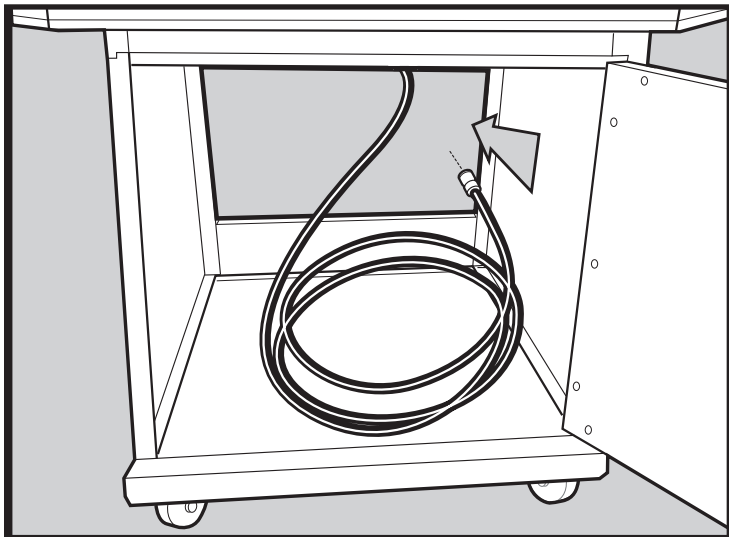
4 - 

4 - 



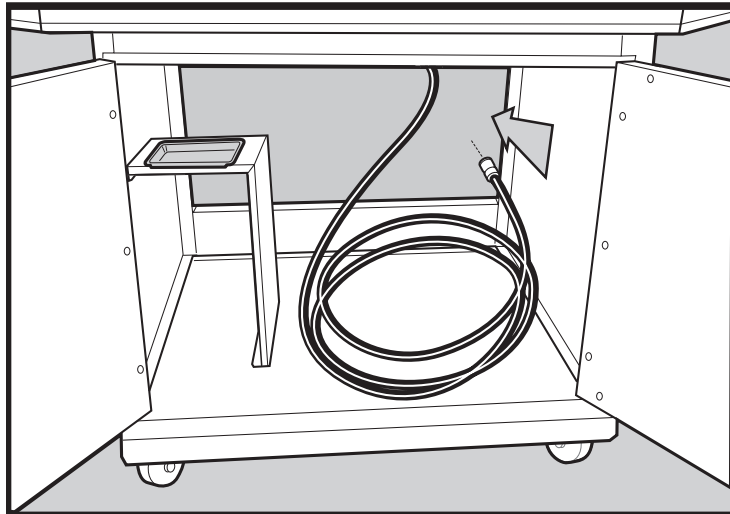
8

3
BRNR.



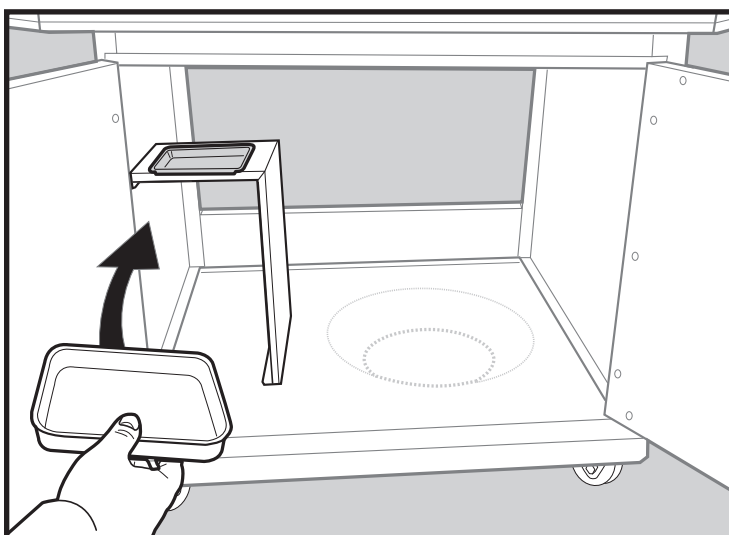
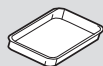
8

5
BRNR.



9

5
BRNR.



WARRANTY, GARANTÍA, GARANTIE

Ducane Products, Co. hereby warrants to the ORIGINAL PURCHASER of this Ducane® Stainless Series gas grill that it will be free of defects in material and workmanship from the date of purchase as follows:

Ten-Year Limited Warranty

- Stainless steel cabinetry and grill lid excluding discoloration and scratches

Five-Year Limited Warranty

- Stainless steel cooking grates
- Stainless steel primary grill burners
- Side Burner Inserts
- Stainless steel rotisserie burners

Two-Year Limited Warranty

- Rotisserie motor
- Ignition system
- All remaining parts

The above warranty period(s) applies only to grills used in a non-commercial setting when assembled and operated in accordance with the printed instructions accompanying the grill.

Ducane may require valid proof of your date of purchase. Please retain your receipt of purchase or invoice as reasonable proof.

This Limited Warranty shall be limited to repair or replacement of parts that prove defective under normal, non-commercial use and which, on examination shall indicate, to Ducane's satisfaction, that they are defective. Before returning any parts, please contact Ducane's Customer Service at 1-800-DUCANES (1-800-382-2637).

If Ducane confirms the defect and approves the claim, Ducane will elect to replace such parts without charge. If you are required to return defective parts, transportation charges must be paid by you. Ducane will return parts to purchaser, freight or postage prepaid.

Ducane Products, Co., por el presente documento garantiza al COMPRADOR ORIGINAL de esta parrilla a gas de la Serie Inoxidable de Ducane® que estará libre de defectos de materiales y fabricación desde la fecha de adquisición así:

Garantía limitada de diez años

- Gabinete de acero inoxidable y tapa de la parrilla, excluyendo descoloración y rasguños

Garantía limitada de cinco años

- Rejillas para cocción en acero inoxidable
- Quemadores primarios de la parrilla en acero inoxidable
- Insertos de quemadores laterales
- Quemadores para asador en acero inoxidable

Garantía limitada de dos años

- Motor del asador
- Sistema de encendido
- Todas las demás partes

Los anteriores períodos de garantía sólo se aplican a parrillas usadas en ambientes no comerciales cuando sean ensambladas y operadas de acuerdo con las instrucciones impresas que acompañan la parrilla.

Ducane puede solicitar una prueba válida de su fecha de adquisición. Por favor guarde su recibo de compra o la factura como prueba razonable.

Esta Garantía Limitada se limitará a la reparación o reemplazo de partes que se pruebe que estaban defectuosas bajo un uso normal y no comercial, y que, tras ser examinadas, indiquen a satisfacción de Ducane que efectivamente están defectuosas. Antes de devolver cualquier parte, por favor contacte al Servicio al Cliente de Ducane al 1-800-DUCANES (1-800-382-2637).

Si Ducane confirma el defecto y aprueba la reclamación, Ducane elegirá reemplazar dicha parte sin ningún cargo. Si se le solicita que devuelva las partes defectuosas, los costos de transporte deberán ser asumidos por usted. Ducane devolverá las partes al comprador con flete o timbre pagado por anticipado.

Par la présente, Ducane Products, Co., garantie à l'ACHETEUR ORIGINAL du gril au gaz en acier inoxydable Ducane® qu'elle sera sans vices de matériaux et de fabrication à partir de la date d'achat, tel que suit:

Garantie Limitée de Dix Ans

- Habillage et couvercle de gril en acier inoxydable à l'exception de décoloration et d'égratignures.

Garantie Limitée de Cinq Ans

- Gril de cuisson en acier inoxydable
- Brûleurs primaire en acier inoxydable
- Insertions du brûleurs du côté
- brûleurs de tournebroche en acier inoxydable

Garantie Limitée de deux ans

- Moteur du tournebroche
- système d'allumage
- Toutes autres pièces

La(Les) période(s) de garantie ci-haut mentionné s'applique seulement au grils personnel, et non ceux qui sont utilisés dans un milieu commercial, quand assemblé et opéré selon les instructions incluses avec le gril.

Ducane pourra exiger une preuve d'achat valable. Veuillez conserver votre preuve d'achat ou votre facture comme preuve.

Cette garantie sera limitée à la réparation ou le remplacement de pièces qui s'avèrent être défectueux sous des conditions d'utilisation normal, non-commercial, et qui, après exam indiquera, à la satisfaction de Ducane's, une défectuosité. Avant de retourner les pièces, veuillez contacter le service à clientèle de Ducane au 1-800-DUCANES (1-800-382-2637).

This Limited Warranty does not cover failures or operating difficulties due to accident, abuse, misuse, alteration, misapplication, vandalism, improper installation, use in a commercial enterprise, improper maintenance, including but not limited to damage caused by insects within burner tubes, as described in the owner's manual.

Deterioration or damage due to severe weather conditions, such as hail, hurricanes, earthquakes, or tornadoes is not covered by this Limited Warranty.

Deterioration or discoloration due to exposure to chemicals, either directly or in the atmosphere, is not covered by this Limited Warranty.

There are no other express warranties except as set forth herein and any applicable implied warranties of merchantability and fitness are limited in duration to the period of coverage of this express written Limited Warranty. Some regions do not allow limitation on how long an implied warranty lasts, so this limitation may not apply to you.

Ducane is not liable for any special, indirect or consequential damages. Some regions do not allow the exclusion or limitation of incidental and consequential damages, so this limitation or exclusion may not apply to you.

Ducane does not authorize any person or company to assume for it any other obligation or liability in connection with the sale, installation, use, removal, return or replacement of its equipment; and no such representations are binding on Ducane.

This Limited Warranty applies only to products sold at and purchased from a retail entity excluding on-line auction services.

DUCANE PRODUCTS CO.

**Customer Service Center
1890 Roselle Road, Suite 308
Schaumburg, IL 60195
USA**

For replacement parts call:

1-800-446-1071

www.ducane.com®

Esta Garantía Limitada no cubre fallos o dificultades de operación debidos a accidentes, abuso, mal uso, alteración, mal manejo, vandalismo, instalación inadecuada, uso en empresa comercial, mantenimiento indebido, e incluye, pero no se limita, a daños causados por insectos al interior de los tubos quemadores, como se describe en el manual del usuario.

El deterioro o daño debido a condiciones climáticas extremas, tales como granizo, huracanes, terremotos o tornados no está cubierto por esta Garantía Limitada.

El deterioro o la decoloración debidos a la exposición a químicos, bien sea directamente o en la atmósfera no están cubiertos por esta Garantía Limitada.

No hay ninguna otra garantía expresa salvo las que están contenidas en este documento, y cualquier garantía implícita aplicable de comerciabilidad y adecuación está limitada a la duración del período de cobertura de esta expresa Garantía Limitada. Algunas regiones no admiten una limitación al tiempo de duración de una garantía implícita, de forma que esta limitación no aplica para usted.

Ducane no es responsable por ningún daño especial, indirecto o resultante. Algunas regiones no admiten la exclusión o limitación de daños incidentales o resultantes, de forma que esta limitación podría no aplicar para usted.

Ducane no autoriza a ninguna persona o compañía a asumir en su nombre ninguna otra obligación o responsabilidad en relación con la venta, instalación, uso, retiro, devolución o reemplazo de este equipo; y ninguna de dichas representaciones obligan a Ducane.

Esta Garantía Limitada aplica únicamente a productos vendidos en y comprados de una entidad detallista, excluyendo servicios de subasta en línea.

DUCANE PRODUCTS CO.

**Customer Service Center
1890 Roselle Road, Suite 308
Schaumburg, IL 60195
USA**

Para partes de repuesto llame a:

1-800-446-1071

www.ducane.com®

Para compras hechas en México

DUCANE PRODUCTS S.A. de C.V.

**Marcella No. 338,
Colonia Americana
44160 México, C.P.
México**

Para partes de repuesto llame a:

(52) (33) 3615-0736

www.ducane.com®

Si Ducane confirme la défectuosité et approuve la demande, Ducane choisira de remplacer ses pièces sans frais. Si vous êtes obligé de retourner des pièces défectueuses, vous devez assumer tous les frais de transports, fret ou port-pré-payé.

Cette garantie limitée ne couvre pas les pannes ou les difficultés d'opération résultant d'accidents, abus, emploi abusif ou mauvaise opération, vandalisme, mauvaise installation, utilisation commerciale, mauvais entretien, incluant mais pas limitée aux dommages causés par les insectes dans les tubes de brûleurs, tel que décrites dans le guide d'achat.

La détérioration ou les dommages dû aux conditions sévère de température, notamment, grêles, ouragans, tremblements de terre, ou tornades ne sont pas couvert par cette garantie limitée.

La détérioration ou la décoloration dû à une exposition au produits chimique, directement ou dans l'atmosphère, ne sont pas couvertes par cette garantie limitée.

Il n'y a pas d'autres garantie expresse à part celles détaillées et n'importe quelle garantie tacite de qualité marchande et de compatibilité applicable est limitée à la durée de la période de couverture de cette garantie expresse limitée. Certaines régions ne permettent pas la limitation de garantie tacite, donc la limitation ne pourrait vous être applicable.

Ducane n'est pas responsable des dommages, indirects ou conséquents. Certaines régions ne permettent pas l'exclusion ou la limitation de dommages accessoires ou immatériels, donc, l'exclusion ou la limitation ci-haut mentionnée ne pourrait vous être applicable.

Ducane n'autorise aucune personne ou entreprise, d'assumer à son nom, n'importe quelle obligation ou responsabilité liée à la vente, l'installation, l'utilisation, l'enlèvement, le retour ou le remplacement de son équipement; et ce, notamment, aucune représentations de ce genre engage Ducane.

Cette garantie limitée s'applique seulement aux produits vendu par, ou procuré chez, un détaillant, excluant tous sites de vente aux enchères en-ligne..

DUCANE PRODUCTS CO.

**Product Registration
P.O. Box 40530
Burlington, ON L7P 4W1**

Pour des pièces de rechange, appelez le :

**1-800-265-2150
www.ducane.com®**

SAFETY INFORMATION

IMPORTANT We urge you to read this manual carefully and to follow the recommendations enclosed. This will help assure you of the most enjoyable and trouble-free operation of your new Ducane® Gas Grill. We also advise you to keep this manual for future reference.

- ⚠ **WARNING:** Your grill has been designed to operate using only the gas specified on the rating plate. Do not attempt to operate your grill on other gases. Failure to follow this warning could lead to a fire hazard and bodily harm, and will void your warranty.
- ⚠ **CAUTION:** FOR YOUR SAFETY Do not store any flammable materials in any cabinets beneath the grill burner box or in the vicinity of your grill.
- ⚠ **WARNING:** Keep any electrical supply cord and the fuel supply hose away from any heated surfaces.
- ⚠ **Do not build this model of grill in any built-in or slide in construction. Ignoring this Warning could cause a fire or an explosion that can damage property and cause serious bodily injury or death.**

CALIFORNIA PROPOSITION 65

- ⚠ **WARNING:** The burning of gas cooking fuel generates some by-products which are on the list of substances known by the State of California to cause cancer or reproductive harm. California law requires businesses to warn customers of potential exposure to such substances. To minimize exposure to these substances always operate this unit according to the use and care manual, ensuring you provide good ventilation when cooking with gas.

INSTALLATION Natural Gas Grills

Location of Your Grill

- Your Ducane® Gas Grill is manufactured for outdoor use only! Any grill, charcoal or gas, produces carbon monoxide while in operation and the gas should not be allowed to accumulate in a confined area. Never operate this grill inside a building or any enclosed area such as your home, garage or recreational vehicle.
- When locating your grill, choose a safe outdoor location away from flammable or combustible surfaces and out of traffic paths. Ducane® strongly recommends a 24" clearance to combustible surfaces and 120" (10 feet) to any fuel containers or propane cylinders.
- Consult your local codes for possible additional restrictions on location or operation of your grill.
- As your grill uses gas, it requires air to burn properly. Do not locate your grill in such manner or as to obstruct the flow of combustion and ventilation air around the grill.
- When possible, adjust your grills' position to reduce the likelihood of wind blowing onto it.

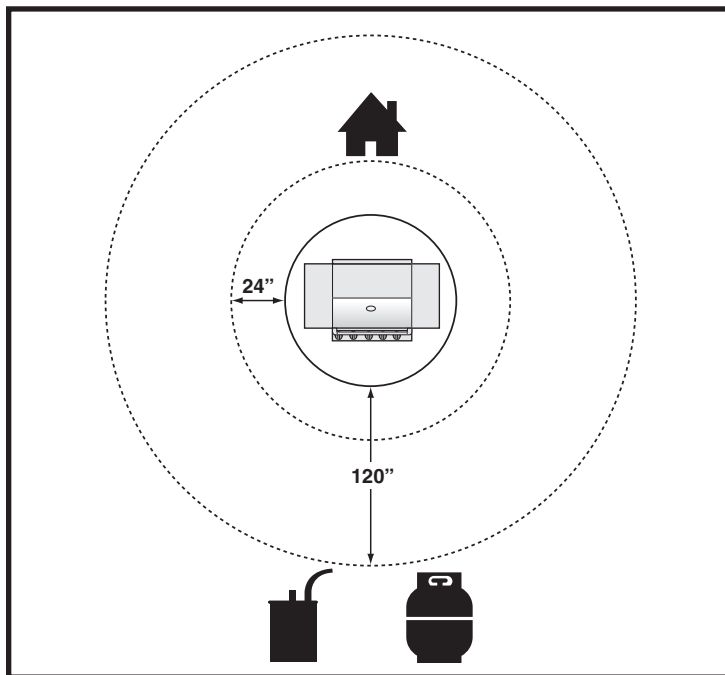
- ⚠ **CAUTION:** Never operate your grill under any overhead combustible construction.
- ⚠ **CAUTION:** This grill is not intended to be installed in or attached to a recreational vehicle. It is also not intended to be installed in or on a boat.
- ⚠ **WARNING:** For your safety, do not store or use gasoline or other flammable vapors and liquids in the vicinity of this or any other appliance. Failure to follow this warning could lead to a fire, explosion and bodily harm.

Assembly

Make sure your grill is assembled properly. Detailed assembly instructions are packed with each grill giving specific assembly procedures for each model. Follow these instructions carefully to ensure the correct and safe assembly of the grill.

Leveling

It is important for the proper operation of the grill that it be located on a level surface.



CONNECTION Natural Gas Grills

Type of Gas

Your natural gas grill is factory built to operate using natural gas only. Never attempt to operate your grill on gases other than the type specified on the grill rating plates. Your grill operates at 7" of water column pressure. If replacement of the hose becomes necessary, factory specified parts are required. See your local dealer.

For safety and design reasons, the conversion of a Ducane® grill from operation using Natural gas to operation using LP gas requires the change out of the entire gas supply system of the grill. If this becomes necessary, see your dealer for additional information.

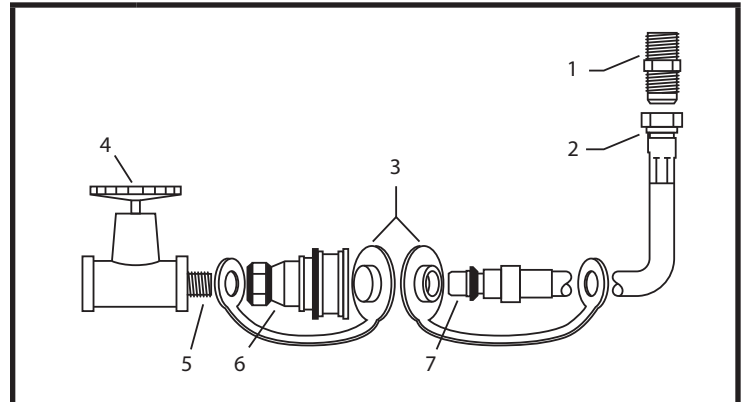
What is Natural Gas?

Natural gas, often called methane, is a safe modern fuel. Natural gas is supplied by your local utility and should be readily available if your house is already heated with gas.

Portable Installation

Limited portability can be afforded to the grill head when mounted on the portable cart. All grill heads mounted on this portable cart and cabinet model grills so equipped can be moved about 10 feet away from the main gas supply. Ducane recommends moving the grill at least two (2) feet from the gas supply and any combustible surfaces. After the gas supply has been run and checked for leaks in accordance to the assembly instructions, you are ready to grill. To connect the hose to the gas supply, pull back the outer fitting, insert the hose fitting all of the way, and release the outer fitting. This process will produce a gas joint.

Follow special storage instructions located in the Helpful Hints section of this manual for proper care of your grill and its gas hose.

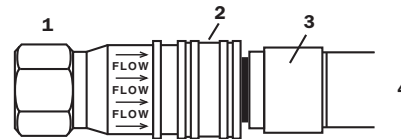


1	Flare Union
2	Swivel Connection
3	Install covers when hose is disconnected
4	Shut Off Valve
5	Coat this pipe nipple with gas resistant pipe dope
6	Socket
7	Male Connection

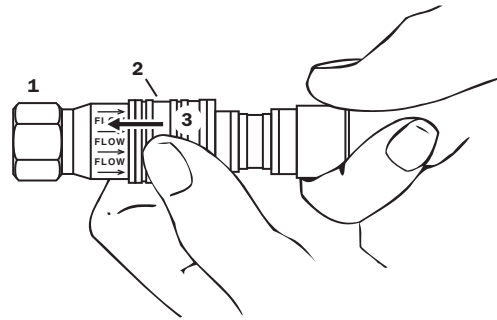
NATURAL GAS INSTALLER'S GUIDE

This guide is a recommendation for natural gas installations. It advises the installer as to the size tubing that is necessary on a natural gas installation depending on how far the grill is located from the house. All tubing should be anticorrosive tin-lined copper or an AGA-approved alternate. Operating pressure of the grill is 7" water column pressure. This should be verified after the installation is complete. Comparable sized black iron pipe is also acceptable for natural gas lines.

Distance	Pipe Size
1 - 25 feet	3/8"
26 - 50 feet	1/2"
51 - 100 feet	2/3 of the run 3/4" down to 1/2"
101 feet or more	3/4"



1	Socket
2	Sleeve
3	Plug
4	Push plug until sleeve snaps forward locking plug in socket. (This turns on gas automatically.)



1	Socket
2	Sleeve
3	Push Sleeve Back

When properly assembled the plug cannot be removed without pushing the sleeve back. To disconnect, push sleeve back and pull out plug. (This automatically shuts off gas.)

Gas Leaks Checks

Before operating your grill, check carefully to be certain that all connections are tight and there are no gas leaks. Never use a match or flame for leak detection. Use soapy water or testing solution. Brush the solution on to connection points and look closely for bubbles indicating escaping gas. If leaks are detected, shut off the main gas supply valve and securely retighten connections, then repeat the leak test.

- ⚠ CAUTION: The appliance and its individual shutoff valve must be disconnected from the gas supply piping system during any pressure testing of that system at test pressures in excess of 1/2 psig (14" wc).**
- ⚠ CAUTION: The appliance must be isolated from the gas supply piping system by closing its individual manual shutoff valve during any pressure testing of the gas supply piping system at test pressures equal to or less than 1/2 psig (14" wc).**
- ⚠ WARNING: Never use an open flame when testing for gas leaks! Use of an open flame may result in serious bodily injury or death, or in a fire or an explosion causing damage to property.**

IMPORTANT

Installation must conform with local codes or, in the absence of local codes, with either the National Fuel Gas Code, ANSI Z223.1/NFPA 54, or CAN/CGA-B149.1; Natural Gas and Propane Installation Code.

IMPORTANT

When connecting or replacing any gas pipe or fittings, all joints must be sealed with leak-proof sealing compound approved for use with natural and propane gases. After making connections, check all joints for leaks using soapy water and a brush.

Breaking in Your Grill

When firing your grill for the first time, it is advisable to run the Main Burner(s) on "HI" for 20 minutes with the hood down and then turn the Main Burners "OFF". This tempers the grill.

Lighting Your Grill

- ⚠ WARNING: Before each use of your grill it is important to inspect the full length of the gas line hose. If it is evident there is excessive abrasion or wear, or the hose is cut, the hose must be replaced prior to the appliance being put into operation.**
- ⚠ DANGER: Make sure that the lid is in the full open position any time you attempt to light your grill. Failure to open the lid could lead to delayed ignition which may result in serious bodily injury or death, or in a fire or an explosion causing damage to property.**

Check your parts list or your authorized dealer for the proper replacement hose assembly. For base cabinet model grills, it will be necessary to go behind your grill to check the hose.

NORMAL OPERATION

Snap Ignition Operation

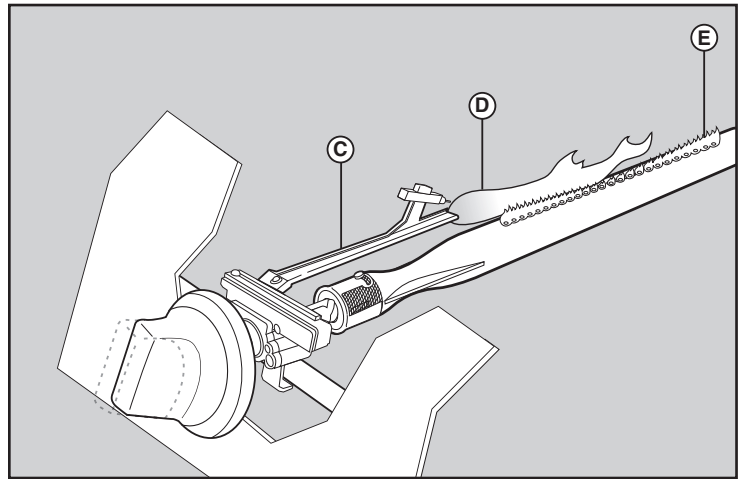
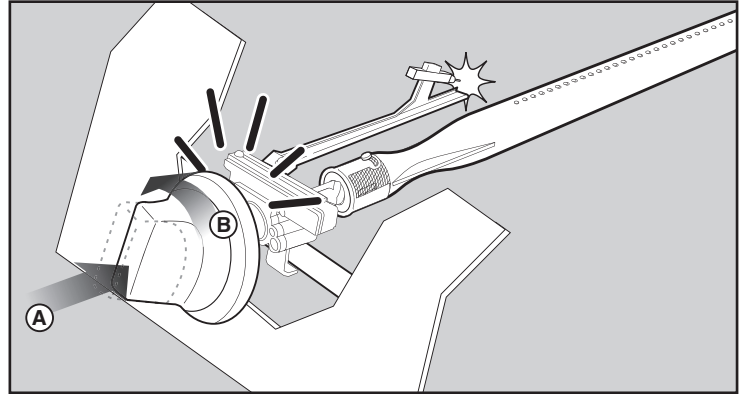
⚠ Always open the lid before igniting the burners

Each control knob has its own igniter electrode built in. To create a spark you must push the control knob in (A) and turn to "START/High" (B).

This action will generate gas flow and a spark to the burner lighting tube (C). You will hear a "snap" from the igniter. You will also see a 3" - 5" orange flame coming from the burner lighting tube at the left side of the burner (D).

Continue to hold the burner control knob in for two seconds after the "snap". This will allow gas to flow completely down the burner tube (E) and insure ignition.

Check that the burner is lit by looking through the cooking grates. You should see a flame. If burner does not light on first try, push control knob in and turn to OFF.



⚠ WARNING: If the burner still does not light, turn the burner control knob to "OFF" and wait 5 minutes to let the gas clear before you try again or try to light with a match.

Preheating Grill

It is extremely important that your grill be up to temperature before you begin using it. After lighting, close the lid and preheat the grill on "high" for 10 minutes. This preheating will ensure that the cooking grid is hot enough for proper grilling.

⚠ WARNING: Never leave a grill unattended to guard against possible grease fires getting out of control. Grease fires can be severe and cause grill damage, property damage and bodily harm.

Open or Close Lid for Grilling

Cooking with the lid open or closed is a matter of personal preference. Cooking with the lid closed is recommended if you enjoy cooking at maximum "searing" temperatures. This method will also speed the cooking process, and will give you a more robust, smoky, outdoor flavor. If you prefer cooking slower, with less flare up, we suggest the lid-open method.

We recommend always cooking with your lid CLOSED if you are in a windy area or colder climate. Your Ducane® gas grill has been designed and constructed to give you maximum flexibility and cooking performance. Be creative, try different cooking methods on your grill to determine what suits your needs best...there is no "right" or "wrong" way to cook...just different individual styles.

⚠ WARNING: Please remember that this is an outdoor gas cooking appliance. Many areas of the grill generate extreme heat. We have taken every precaution to protect you from the contact areas. However, it is impossible to isolate all high-temperature areas. Therefore, use good judgment and a certain degree of caution when grilling on this product. We

suggest a covered, protected hand during operation of grill. Do not move your grill when it is in operation or hot to the touch. Wait until your unit is turned off and properly cooled down before moving from place to place. Failure to follow this warning could result in personal injury.

Post-heating Grill

In order to assist cleaning your cook grid and to completely vaporize remaining juices, post-heat grill for 10 minutes with the burners on "high" and the lid closed.

⚠ CAUTION: Do not cover the cook grate during the post-heating period.

After the post-heating of your grill is completed turn the control knobs to the "OFF" position.

For Natural Gas Grills and System Propane

It is also advisable to turn off the Natural Gas or System Propane gas supply at the main cut-off valve when your grill is not in use.

NORMAL OPERATION

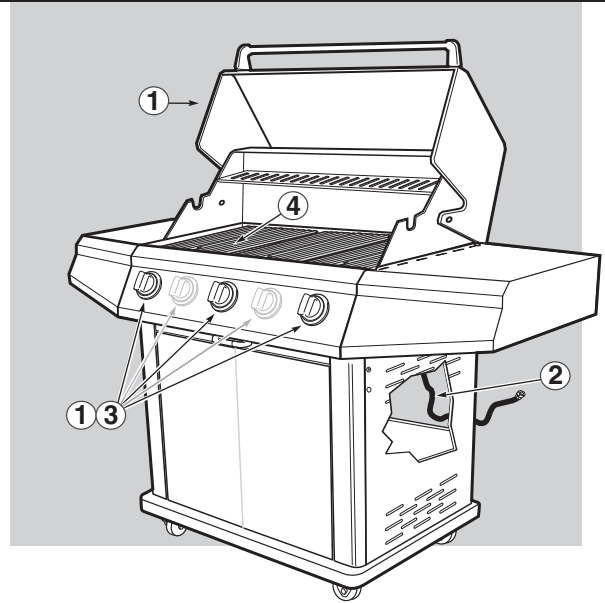
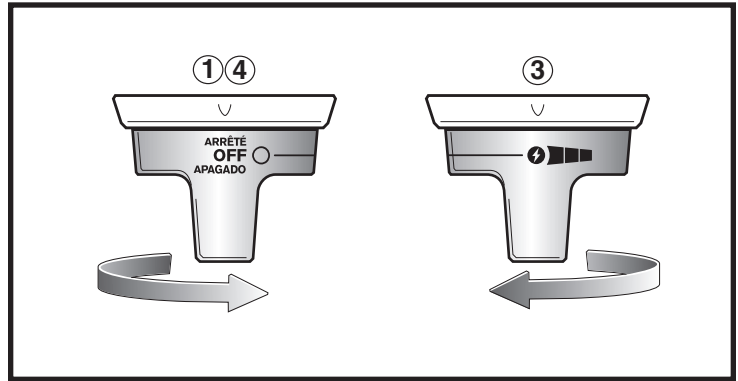
Main Burner Snap Ignition

Note: Each control knob snap igniter creates a spark from the igniter electrode to the burner lighting tube. You generate the energy for the spark by pushing in the control knob and turning to "START/HI". This will ignite each individual burner.

Follow the simple steps listed below to light the Main Burner(s) of your grill:

1. Open the lid and make sure that all burners are in the "OFF" position.
2. Turn main gas supply on.
3. Push the control knob in and turn to "START/HI" until you hear the igniter snap - continue to hold control knob in for two seconds. This action will spark the igniter, the burner lighting tube and then main burner.
4. Check that the burner is lit by looking through the cooking grates. You should see a flame. If burner does not light on first try, push control knob in and turn to OFF.

⚠ WARNING: If ignition still does not occur, turn control knob OFF and wait 5 minutes before manually lighting the burner with match. See Match Lighting instructions.



NORMAL OPERATION

Match Lighting Your Grill Main Burners

Follow the simple steps listed below to match light the Main Burner(s) of grill, in the event snap ignition fails:

⚠ WARNING: (Make sure that 5 minutes have elapsed since last attempt of lighting.) Make sure that the lid is in the full open position any time you attempt to light your grill. Failure to open the lid could lead to delayed ignition which may result in serious bodily injury or death, or in a fire or an explosion causing damage to property.

⚠ WARNING: Do not lean over an open barbecue.

1. Open the lid and make sure that all burners are in the "OFF" position.

⚠ DANGER: Failure to open the lid while igniting the main burners, or not waiting 5 minutes to allow the gas to clear if the main burner(s) does not light, may result in an explosive flame-up which can cause bodily injury or death.

2. Turn main gas supply on.

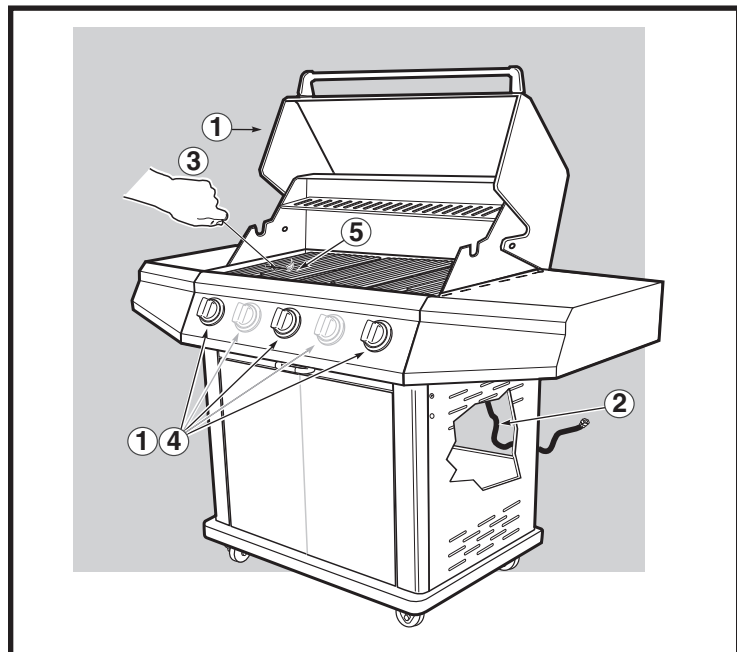
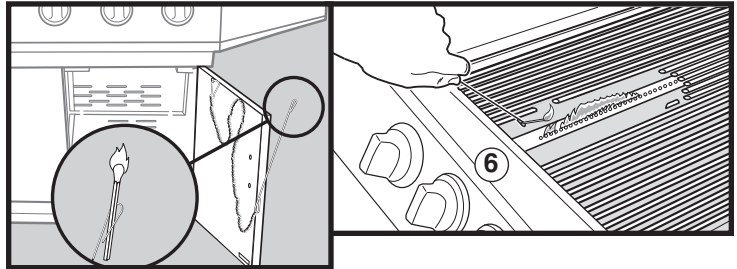
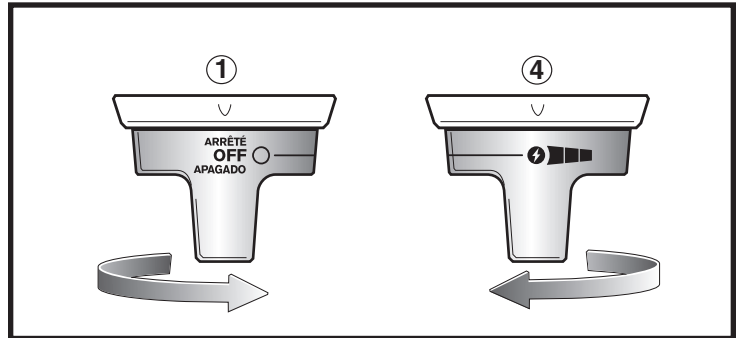
3. Put match in the match holder and strike match.

4. Push in selected MAIN BURNER control knob and turn to "HIGH".

5. Insert match holder and light match down through cooking grate to ignite the selected Main Burner.

⚠ WARNING: If the burner does not light, turn the selected burner control knob to OFF and wait 5 minutes to let the gas clear before trying again to light burner(s).

6. Verify selected Main Burner(s) has ignited by visual inspection of a flame.



NORMAL OPERATION

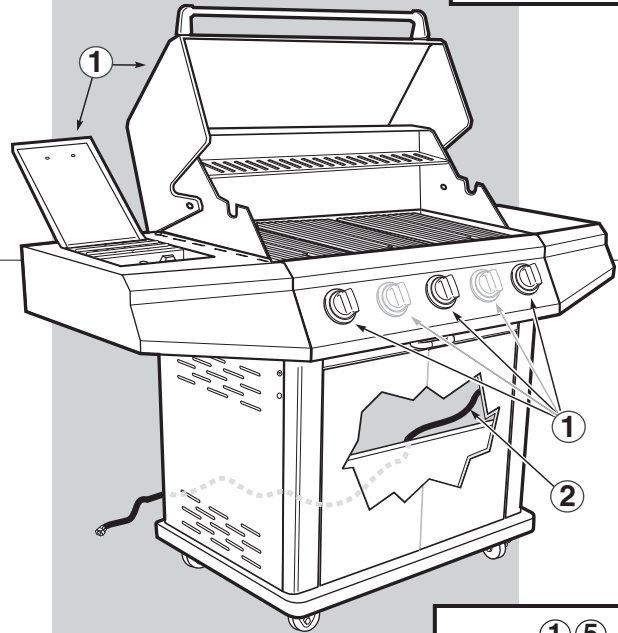
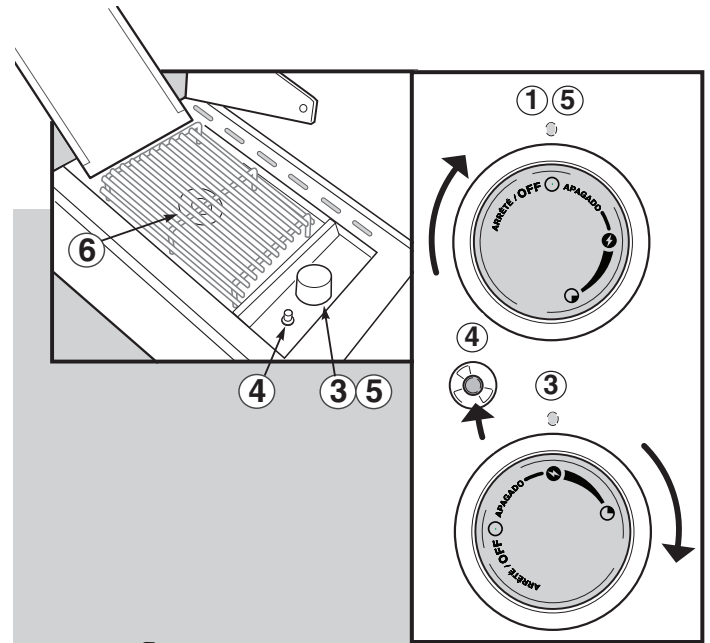
Side Burner Ignition

Follow the simple steps listed below to light the Side Burner (SB) of your grill:

⚠ DANGER: Failure to open the lid while igniting the side burner, or not waiting 5 minutes to allow the gas to clear if the side burner does not light, may result in a explosive flame-up which can cause bodily injury or death.

1. Open the lids and check that the side burner valve is turned off (Push control knob in and turn clockwise to ensure that it is in the "OFF" position), turn all burners not being used to the "OFF" position (push in and turn clockwise).
2. Turn main gas supply on.
3. Push the SIDE BURNER control knob in and turn to "HI".
4. Push in the ignition button.
5. If ignition does not occur in 5 seconds, turn the burner control(s) "OFF", wait 5 minutes and repeat the lighting procedure.
6. Verify Side Burner has ignited by visual inspection of a flame.

⚠ WARNING: If ignition still does not occur, turn control knob OFF and wait 5 minutes before manually lighting the burner with match. See Match Lighting instructions.



Match Lighting Your Grill Side Burner

Follow the simple steps listed below to match light the Side Burner of grill, in the event electronic ignition fails:

1. Open the lids and check that the side burner valve is turned off (Push control knob in and turn clockwise to ensure that it is in the "OFF" position), turn all burners not being used to the "OFF" position (push in and turn clockwise).

⚠ DANGER: Failure to open the lid while igniting the Side Burner, or not waiting 5 minutes to allow the gas to clear if the Side Burner does not light, may result in an explosive flame-up which can cause bodily injury or death.

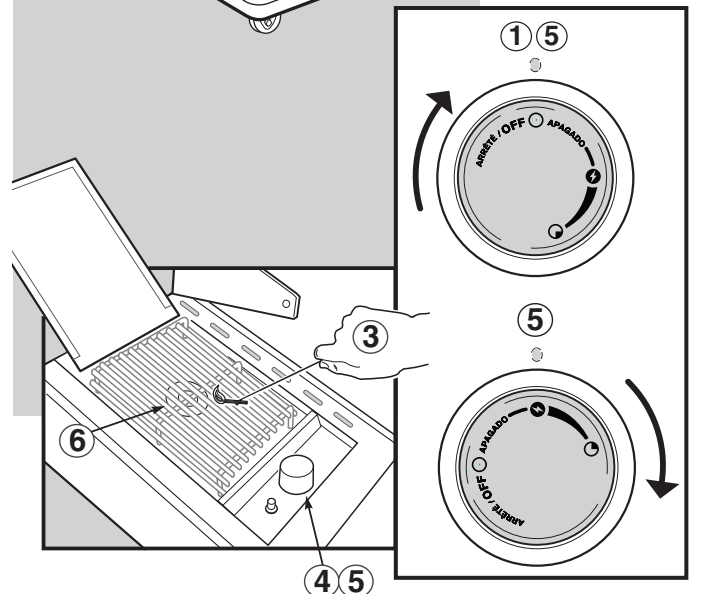
2. Turn main gas supply on.
3. Put match in the match holder and strike match.

⚠ WARNING: Do not lean over an open barbecue.

4. Push in Side Burner control knob and turn to "HI".
5. Insert match holder and lit match through trivet to ignite the Side Burner. If ignition does not occur in 5 seconds, turn the burner control(s) "OFF", wait 5 minutes and repeat the lighting procedure.

⚠ WARNING: If burner does not light, turn the Side Burner control knob to OFF and wait 5 minutes to let the gas clear before trying again to light burner.

6. Verify Side Burner has ignited by visual inspection of a flame.



Flare Ups

Any time you cook fatty foods over an open flame, you can expect flare ups. Flare ups are caused by the flash which occurs when the natural juices fall on the heat distribution plates. Controlled flare ups give foods their delicious outdoor flavor and appearance. Excessive flare ups may occur when your grill is not level or when cooking fatty foods such as spare ribs and chicken parts, especially if the cooking temperature is set too high. These flare ups should be controlled or your food will burn, although it will not burn nearly as much as you might think even in the direct flame.

⚠ WARNING: Do not spray or pour any liquid into the cooking box to control flare ups. Doing so will void your warranty and may damage the grill.

To help control flare ups, we suggest using leaner cuts of meats and trimming excess fat from the meats to be grilled. Also, your grill should be level. If flare ups do occur, use the "Low" control setting and relocate the meat on the cooking grid until the flare ups have subsided.

1. To prevent food from sticking to the grid, preheat the cooking surface with the hood down for 10 minutes. Place the meat product on the grid and allow it to remain there for at least half of the suggested grilling time.
2. It is unnecessary to keep flipping meat products—allow them to sear and seal in their juices, then halfway through the cooking period, with a spatula, flip the meat product onto its other side. When grilling chicken, always place the meat side on the grill first.
3. A light coating of oil applied to any of the meat products prior to grilling will also help. The use of a commercial spray cooking product is also helpful. This spray should only be used prior to lighting your grill but never during the cooking period. Use of spray cooking product can leave a black stain on areas of your cook grate. This is not harmful and does not affect cooking; however, if this becomes an appearance problem, the best way to remove the discoloration is by placing the cook grate in a self-cleaning oven during the clean cycle.

Storing Natural Gas Grills

After you have finished cooking and have cleaned your grill, (see Maintenance section – for cleaning), turn your grill off at your appliance control knob. It is strongly recommended that the inline field installed cutoff valve also be turned off when the grill is not in use.

When the portable grill is to be stored indoors, the connection between the hose and the gas supply line must be broken. While the special fitting will stop the gas flow when the hose connection is removed, it is highly recommended you turn the gas supply off prior to disconnecting the hose assembly. To protect the gas fitting, it is necessary to insert the plastic plug (supplied with 10' hose package) into the female quick connect. The male end of the hose must be protected by placing the plastic cap (supplied with 10' hose package) over the brass fitting on the end of the hose.

Gas Valve Orifice

⚠ WARNING: Any alteration made to the orifice(s) such as drilling it out, will void your warranty and may result in serious bodily injury or death, or in a fire or an explosion causing damage to property.

TROUBLESHOOTING

PROBLEM	CHECK and CURE	IMPORTANT
IGNITION SYSTEM	Be sure that there is gas flow to the burners by attempting to match light your burners. If match lighting is successful, the problem lies somewhere in the ignition system and will need to be checked.	
MAIN GRILLING BURNERS	<hr/> <p>⚠ CAUTION: Always turn the gas supply off at the main gas cut off before proceeding with any troubleshooting procedures.</p> <hr/> <p>If, for any reason, the snap ignition fails to ignite the main grilling burner(s), repeat the lighting procedures described on the grill control panel.</p> <hr/> <p>⚠ WARNING: The hood must be in the full open position any time you attempt to light your grill. Failure to open the hood could lead to delayed ignition resulting in bodily harm.</p> <hr/> <p>After shutting off the main gas supply, remove the cook grate and heat distribution plates. Turn snap igniter counter clockwise and check if the electrode is sparking to the igniter tube. Try the snap igniter several times.</p>	<p>If the main burner(s) still fails to ignite, make sure that there is gas flowing to the burner(s) by attempting to match light the burner(s). If the burners will match light, then proceed with the ignition checkout.</p> <p>If for any reason the igniter system is still inoperative, follow match lighting instructions.</p>
SIDE BURNER IGNITION DOES NOT WORK.	Does burner light with a match?	If match lights burner, check igniter (see Sideburner Maintenance).
BURNERS WITH POOR FLAME	Check to be sure burner ports, shutter, end of the burner (venturi) and orifice(s) are free of any obstructions. Also, if your grill has been stored over a prolonged period of time, check to make sure no spiderwebs have been formed in the shutter end of the burner (venturi) or over orifices.	If you still have a poor flame, please contact dealer for further assistance or call Customer Service
<p>If problems cannot be corrected by using these methods, please contact the Customer Service Representative in your area using the contact information on our web site. Log onto www.ducane.com.</p>		

Yes, you paid a lot of money for your grill, but even an expensive grill doesn't clean and maintain itself, and you want it to look good and function properly. That's why this section of your manual is so important. This section gives you the information necessary to help you keep your grill looking new and working properly. Reading and following the instructions in this section will make your grill investment pay off for many years.

90-Day Grill Maintenance Schedule

It is recommended that every 90 days the following maintenance procedure is followed, but it is absolutely necessary to perform this maintenance at least once a year. By doing so you will extend the life of your gas grill.

Cleaning the Hood

The exterior of the hood should be maintained with a stainless steel cleaner. The inside of the hood may be cleaned with a solution of warm water and liquid detergent to remove any grease build-up.

⚠ WARNING: Do not lift the barbecue using the control panel as a handle. Lifting by the control panel can damage gas handling and electrical components. Damage to gas handling and electrical components can result in serious bodily injury or death and damage to property.

Cleaning the Stainless Steel Cook Grate

To keep your grill operating properly, the stainless steel cook grate should be cleaned regularly.

1. The stainless steel cook grate can be easily cleaned after the post-heating period. As soon as the 10 minutes post-heating is completed, turn the gas off. Open the lid with a covered hand and with the use of a brass brush, rub the grid surface. The Ducane® stainless steel cook grate has been constructed of strong, sturdy stainless steel. You will find this cooking surface to be extremely durable while providing more heat directly to your cooking surface for faster, more economical cooking.

Cleaning the Heat Distribution Plates

Your stainless steel heat distribution plates should also be brushed down with the use of a brass long-handled brush.

Cleaning the Burner Box

Clean when cook grate and heat distribution plates are removed from burner box. Clean out any ash or deposits from burner box using warm soapy water and a soft cloth. Allow to dry before replacing all parts.

A small amount of grease may accumulate on the bottom of the burner box. It can be scraped up and discarded with a flat-blade putty knife. Use a soap and water solution to clean after you have scraped.

Prolonged grilling with the hood in the down position may cause a grease build up inside the hood that will begin to flake (this is not paint). If this develops, clean the inside of the hood with a warm water and soap solution. Be careful not to get the burner wet.

Preserve Your Cabinet, Control Panel and Shelf/Shelves

Your cabinet, control panel and shelves are made from stainless steel. To keep the stainless steel looking its best is a simple matter. Clean it with soap and water, rinse with clear water and wipe dry. It's that easy. We recommend the use of a diluted liquid dishwashing detergent and water solution. For stubborn particles, the use of a non-metallic brush can be used. Do not use a wire brush on your cooking shelf.

⚠ CAUTION: Do not use a wire brush or abrasive cleaners on the lid, cabinet and shelves of your grill as this will scratch the surface.

⚠ CAUTION: When cleaning surfaces be sure to rub in the direction of the grain to preserve the look of your stainless steel.

IMPORTANT

- Keep appliance area clear and free from combustible materials, gasoline and other flammable vapors and liquids at all times.
- Do not locate your grill in such a manner or otherwise obstruct the flow of combustion and ventilation air around the grill.
- As part of the normal maintenance schedule, check to be sure that all ventilation openings are free and clear from debris.

Grease Fires

The recommendations in the Maintenance section, concerning cleaning our grill, and in the Normal Operation section concerning preheating and post-heating your grill are extremely important for two reasons:

1. Keep your grill cooking at its best by keeping the cooking surfaces and heat transmitting components clean. Keeping your grill clean is the best way of keeping your grill cooking properly.
2. For safety reasons. A dirty grill is susceptible to grease fires. Depending on the amount of cooking, the types of food cooked, the amount of preheating and post-heating and the amount of cleaning performed on a grill, any grill can be susceptible to a grease fire. A build up of meat fats, cooking marinades, basting sauces, salts, etc. can ignite and cause a severe grease fire. If a grease fire were to occur on a Ducane® grill, flames would probably be seen under the burner box. A severe grease fire could lead to a burned hose or regulator which would allow gas to feed the fire and, obviously, make the fire worse. Any type of fire requires that the grill components (hose, regulators, LP tanks, etc...) involved be checked for continued safe operation. If a leak is suspected, the gas supply system (hose, manifold, tank, fittings, etc...) must be leak tested, using a soapy water solution, to verify the source of the leak. If no leak is found, then the problem was most likely a grease fire.

A grease fire can be severe enough to damage your grill and/or cause property damage and/or cause bodily harm. Ducane does not want this to happen and neither do you. Follow our cleaning recommendations to avoid grease fires.

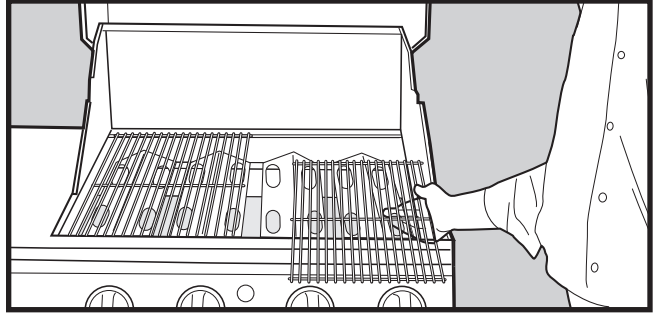
⚠ WARNING: Check the grease tray for grease build-up before each use. Remove excess grease to avoid a grease fire.

ANNUAL MAINTENANCE

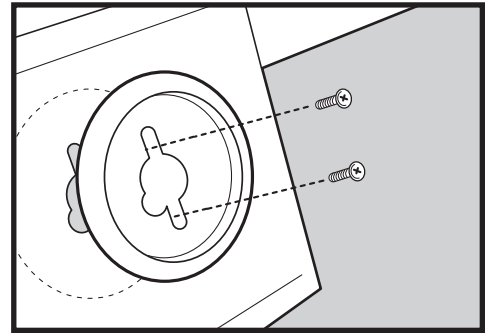
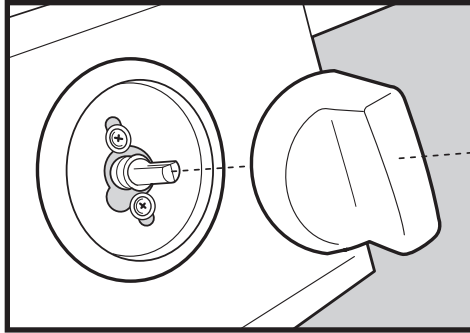
Inspection and Cleaning of the Spider/Insect Screens

To inspect the Spider/Insect screens.

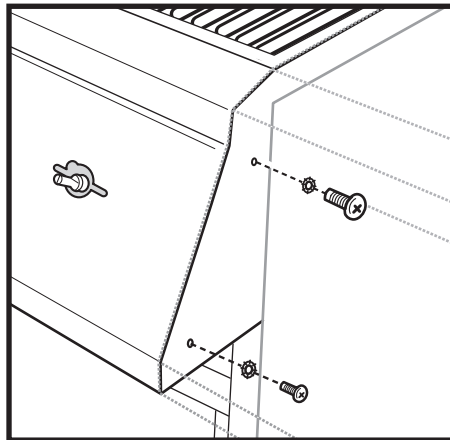
1. Turn "OFF" gas at source.
2. Remove the cooking grate and the heat distribution plates, exposing the burner tubes.



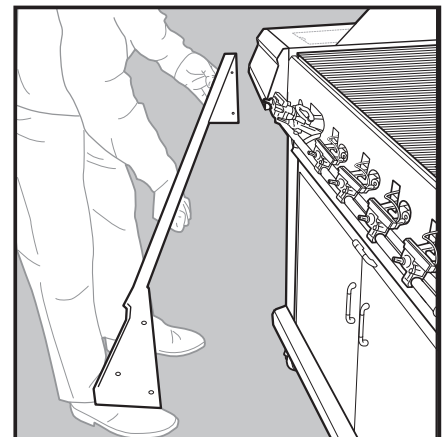
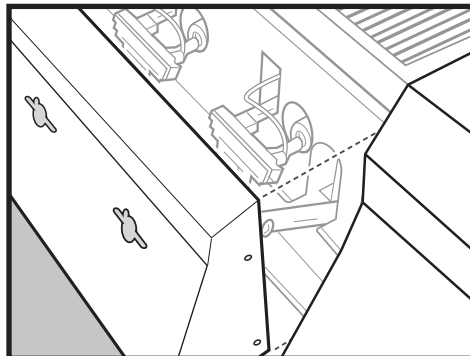
3. Remove the two(2) screws and washers holding each valve to the control panel and control knob bezel.



4. Loosen the control panel by removing two (2) screws on each end.

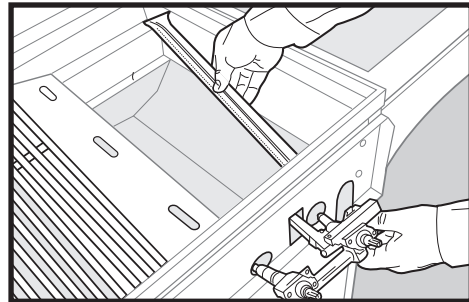
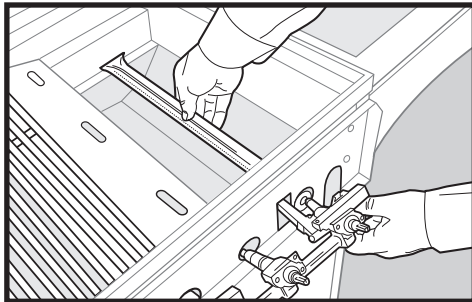


5. Pull control panel away from grill a few inches.



ANNUAL MAINTENANCE

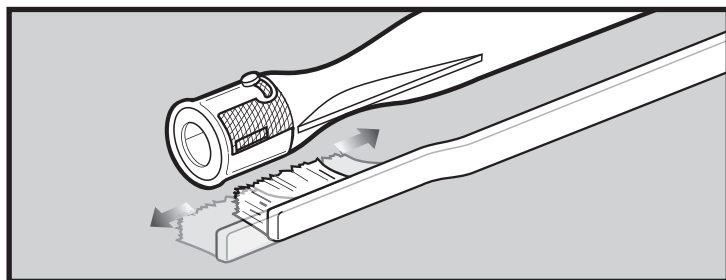
You can now lift out a burner tube for inspection.



If there is dust or dirt on the screens, brush the spider/insect screen(s), lightly, with a soft bristle brush, (i.e. an old toothbrush).

⚠ CAUTION: Do not clean the spider/insect screens with hard or sharp tools. Do not dislodge the spider/insect screens or enlarge the screen openings.

If the spider/insect screen becomes damaged or cannot be cleaned, call Ducane Customer Service at 1-800-382-2637 for replacement parts. To reassemble, reverse steps 2 through 5.



Cleaning the Spider/Insect Screens

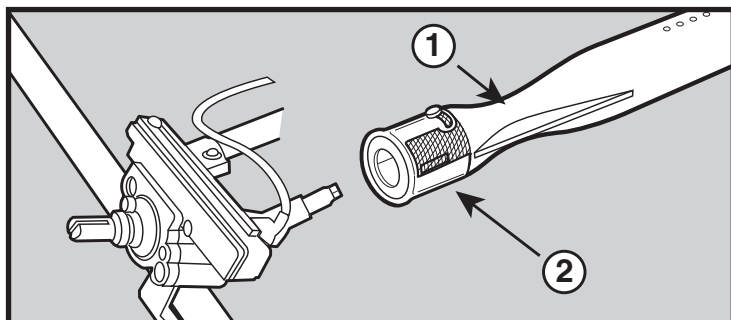
Your Ducane® gas barbecue, as well as any outdoor gas appliance, is a target for spiders and other insects. They can nest in the venturi section (1) of the burner tubes. This blocks the normal gas flow, and can cause the gas to flow back out the air shutter. This could result in a fire in and around the air shutters, under the control panel, causing serious damage to your barbecue.

The burner tube air shutter is fitted with a stainless steel screen (2) to prevent spiders and other insects access to the burner tubes through the air shutter openings.

We recommend that you inspect the Spider/Insect screens at least once a year. Also, inspect and clean the Spider/Insect screens if any of the following symptoms occur:

1. The smell of gas in conjunction with the burner flames appearing yellow and lazy.
2. Barbecue does not reach temperature.
3. Barbecue does not heat evenly.
4. One or more of the burners do not ignite.

⚠ DANGER: Failure to correct the above mentioned symptoms may result in a fire, which can cause serious bodily injury or death, and cause damage to property.

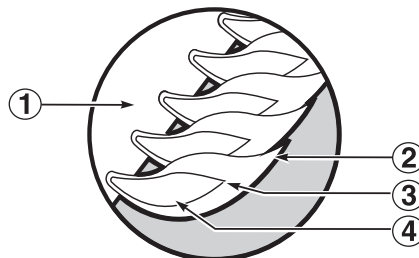


Main Burner Flame Pattern

The Ducane® gas barbecue burners have been factory set for the correct air and gas mixture. The correct flame pattern is shown.

1. Burner tube
2. Tips occasionally flicker yellow
3. Light blue
4. Dark blue

If the flames do not appear to be uniform throughout the burner tube, follow the main burner cleaning procedure.

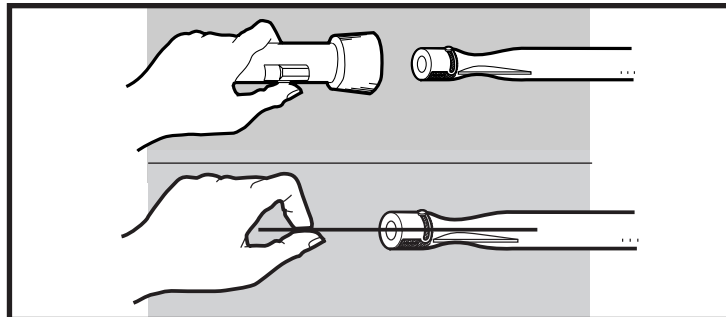


ANNUAL MAINTENANCE

Cleaning the Main Burner

- To clean the gas ports of your main burners use a stiff bristle brush to brush the openings.
- Refer to: **Inspection and Cleaning of the Spider/Insect Screens** for the removal of the burner tube.
- You can now lift the burner tube out of the burner box and inspect inside with a flashlight.
- Clean the inside of the burners with a wire (a straightened-out coat hanger will work). Check and clean the air shutter openings at the ends of the burners.
- Check and clean the valve orifices on the valves. Use a steel bristle brush to clean the outside of the burners. This is to make sure that all burner ports are fully open.

⚠ WARNING: Do not enlarge the burner ports when cleaning.



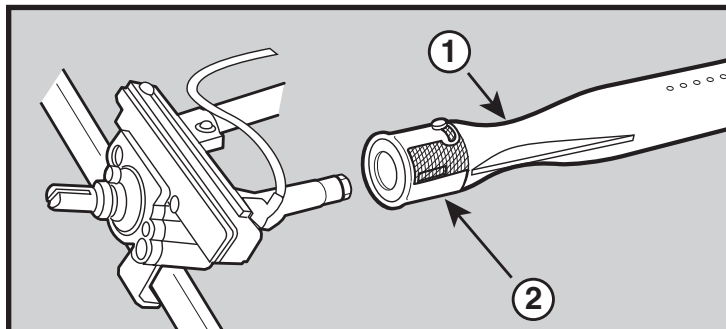
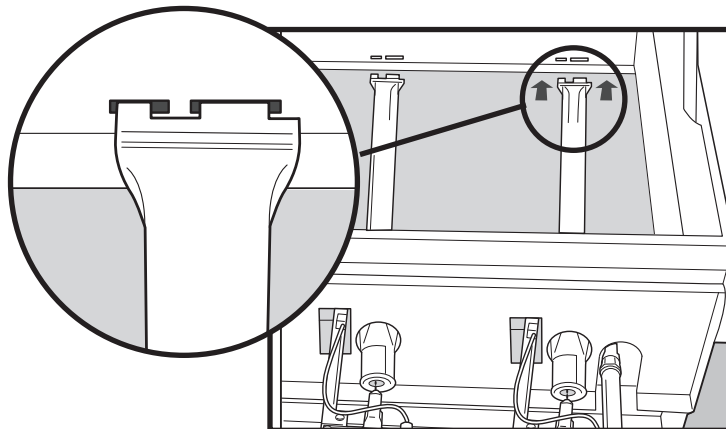
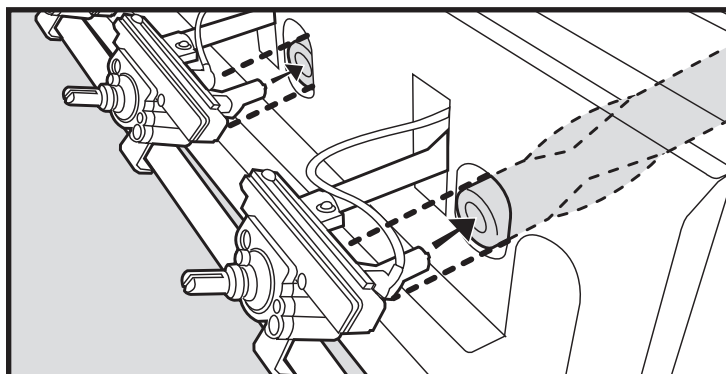
Replacing the Main Burners

1. Your Ducane® gas barbecue must be "OFF" and cool.
2. Turn "OFF" gas at source.
3. Remove the cooking grate and the heat distribution plates, exposing the burner tubes.
4. Remove front panel knobs, bezels and igniter Module for electronic ignition for the burners.
5. Then remove the front panel.

See: **Inspection of the Spider/Insect Screens** for removal of the burner tube.
To reassemble, reverse steps 3 through 5 above.

⚠ CAUTION: The burner openings (1) must be positioned properly over the valve orifices (2). Check proper assembly before fastening manifold/front panel in place.

⚠ WARNING: After reinstalling the gas lines, they should be leak checked with a soap and water solution before using the barbecue.



#20208551

Atención al Cliente: 1-800-382-2637

**DEBE LEER ESTA GUÍA DEL PROPIETARIO
ANTES DE PONER A FUNCIONAR LA
BARBACOA DE GAS**

⚠ PELIGRO

Si huele a gas:

1. Cierre el suministro de gas al artefacto.
2. Apague todas las flamas cerrando la valvula general de paso.
3. Abra la tapa.
4. Llame inmediatamente a la central de fugas o a su proveedor de gas.

Una fuga de gas puede provocar un incendio o explosión que puede resultar en lesiones corporales serias o la muerte, o daños a la propiedad.

⚠ PARA SU SEGURIDAD:

1. No almacene gasolina u otros fluidos flamables en la cercanía de su aparato.
2. Ningún cilindro de propano licuado que no esté conectado para su uso deberá almacenarse cerca de éste o cualquier otro artefacto doméstico.

⚠ NOTA IMPORTANTE: Antes de poner a funcionar la asador, siga cuidadosamente todos los procedimientos en este manual para verificar que no existan fugas. Haga esto aun y cuando la asador haya sido ensamblada por el distribuidor.

AVISO AL INSTALADOR:

Estas instrucciones deben permanecer con el propietario, quien las deberá guardar para un futuro uso.

**ESTE ARTEFACTO A GAS ESTÁ DISEÑADO
PARA USARSE SOLAMENTE AL AIRE LIBRE.**

⚠ NOTA IMPORTANTE: No trate de encender este artefacto sin antes leer la sección "Instrucciones para encender la asador" de este manual.

⚠ ATENCIÓN: A este producto se le han realizado pruebas de seguridad y ha sido certificado para usarse en un país específico. Refiérase al país indicado en la parte externa del cartón de empaque.

Estas partes pueden ser componentes que transporten gas o lo quemem. Por favor póngase en contacto con el Representante de Atención al Cliente de Ducane en su área llamando al 1-800-382-2637 para solicitarle partes de repuesto Ducane genuinas.

⚠ ADVERTENCIA: No trate de reparar ningún componente que transporte o queme gas sin antes contactar a Ducane. Si no llegase a acatar esta advertencia, sus acciones podrían causar un fuego o una explosión que resulte en lesiones personales serias o la muerte o daños a la propiedad.



SOLAMENTE PARA USO DOMÉSTICO

**GUARDE ESTAS INSTRUCCIONES
PARA USO FUTURO**

ES - SPANISH

PELIGROS Y ADVERTENCIAS

⚠ PELIGRO

De no seguir lo escrito bajo Peligros, Advertencias y Precauciones en este Manual de Dueño, puede resultar en serias lesiones al cuerpo, en muerte, en incendios o en explosiones causando daños a la propiedad.

⚠ ADVERTENCIAS

- ⚠ No levante la barbacoa utilizando el panel de control como asa. El hacerlo pudiera dañar los componentes eléctricos y de manejo del gas. Daños a los componentes eléctricos y de manejo del gas pudieran resultar en lesiones corporales graves e incluso la muerte, además de daños a la propiedad.
- ⚠ No almacenar el cilindro de propano líquido desconectado o el de repuesto debajo o cerca de la parrilla.
- ⚠ El ensamblaje incorrecto puede ser peligroso. Por favor seguir cuidadosamente las instrucciones en este manual.
- ⚠ Después de un tiempo almacenado o de estar en desuso, la parrilla de gas Ducane® debe ser revisada para fugas de gas y obstrucciones de hornillas antes de ser usada. Ver instrucciones en este manual para los procedimientos correctos.
- ⚠ No use la parrilla de gas Ducane® si hay una fuga de gas.
- ⚠ No use una llama para revisar si hay una fuga de gas.
- ⚠ El material combustible nunca debe estar a menos de 0.61 metros (24 pulgadas) de la parte de arriba, la parte de abajo, la parte de atrás, ni los lados de la parrilla de gas Ducane®.
- ⚠ No coloque ningún tipo de cubierta sobre la parrilla, ni nada inflamable sobre ella, ni en su espacio de almacenamiento debajo de la parrilla.
- ⚠ Su parrilla de gas Ducane® nunca debe ser usado por los niños. Sus partes accesibles pueden estar muy calientes. Mantenga a los niños alejados cuando la parrilla esté en uso.
- ⚠ Debe tener mucha precaución mientras use su parrilla de gas Ducane®; estará caliente mientras cocine o limpie la parrilla. Y nunca debe estar desatendida o ser movida cuando esté en uso.
- ⚠ En caso de que una hornilla se apague mientras esté en uso, cierre todas las válvulas de gas, abra la tapa y espere 5 minutos antes de intentar encender nuevamente la parrilla siguiendo las instrucciones para encender.
- ⚠ No use carbón ni piedras volcánicas en su parrilla de gas Ducane®.
- ⚠ No se incline sobre la parrilla abierta ni ponga las manos ni los dedos sobre el borde del área de cocinar o la caja de hornillas.
- ⚠ Si llegase ocurrir un fuego de grasa, apague todas las hornillas y deje la tapa cerrada hasta que se apague el fuego.
- ⚠ No aumentar de tamaño los orificios de las válvulas ni de los tubos de hornillas mientras esté limpiando las válvulas o las hornillas.
- ⚠ Debe limpiarse a fondo la parrilla de gas Ducane® con cierta regularidad.
- ⚠ El gas propano líquido no es lo mismo que el gas natural. Intentar una conversión o usar gas natural en una unidad de gas propano líquido o usar gas propano líquido en una unidad de gas natural es peligroso y anulará su garantía.
- ⚠ No intente desconectar ningún acoplamiento de gas ni conexión de gas mientras la parrilla esté en uso.
- ⚠ Use guantes resistentes al calor mientras usa la parrilla.
- ⚠ Mantenga cualquier cable de corriente y manguera de combustible lejos de cualquier superficie caliente.
- ⚠ Los residuos y cualquier material producido por la combustión mientras se usa este producto contiene sustancias químicas reconocidas por el estado de California de causar cáncer, defectos de nacimiento u otras lesiones reproductivas.
- ⚠ No use esta parrilla sin que todas sus partes estén en su lugar. La unidad debe estar apropiadamente ensamblada siguiendo las instrucciones delineadas por la "Guía de Ensamblaje".
- ⚠ Los subproductos de la combustión producidos al usar este producto contienen sustancias químicas que son conocidas por el Estado de la California como causantes de cáncer, defectos de nacimiento, u otros daños reproductivos.
- ⚠ No construya este modelo de barbacoa en ninguna construcción en la que la barbacoa esté incorporada de manera fija o deslizable. El no acatar esta Advertencia pudiera resultar en un fuego o una explosión que pudiera causar daños a la propiedad y heridas corporales graves o la muerte.
- ⚠ Propuesta 65 Advertencia: El manipular los materiales de latón en este producto lo exponen al plomo, una sustancia química conocida por el estado de California como causante de cáncer, de defectos de nacimiento o de otros daños reproductivos. *(Lávese las manos después de manipular este producto.)*

SOLAMENTE PARA UNIDADES DE GAS PROPANO LÍQUIDO:

- ⚠ Use el regulador que viene incluido con su parrilla Ducane®.
- ⚠ No intente desconectar el regulador de gas o cualquier otro acoplamiento de gas mientras se esté usando la parrilla.
- ⚠ Una abolladura en el cilindro de propano líquido puede ser peligroso y debe ser revisada por su proveedor de propano líquido. No use un cilindro de propano líquido que tenga la válvula dañada.
- ⚠ Aunque su cilindro de propano líquido pueda aparentar estar vacío, puede que todavía contenga gas, y el cilindro debe ser transportado y almacenado correspondientemente.
- ⚠ Si ve, huele o escucha el sonido de gas escapándose del cilindro de propano líquido:
 1. Aléjese del cilindro de propano líquido.
 2. No intente corregir el problema usted mismo.
 3. Llame al cuerpo de bomberos.

INFORMACIÓN SOBRE SEGURIDAD

IMPORTANTE

Le instamos a que lea cuidadosamente este manual y a seguir las recomendaciones en el mismo. Esto le ayudará a asegurarse de disfrutar del funcionamiento de su nueva barbacoa de gas Ducane® de la manera más amena y sin problemas. También le aconsejamos guardar este manual para futuras consultas.

- ⚠ **ADVERTENCIA:** La barbacoa ha sido diseñada para funcionar usando el gas indicado en la placa de especificaciones. No trate de operar la barbacoa con otros gases. El no acatar esta advertencia pudiera conducir a un riesgo de fuego y a lesiones corporales, y anulará la garantía.
- ⚠ **PRECAUCIÓN: POR SU SEGURIDAD:** No almacene material inflamable alguno en los gabinetes debajo de la caja de los quemadores de la barbacoa o en los alrededores de la misma.
- ⚠ **ADVERTENCIA:** Mantenga a todo cordón de suministro eléctrico y a la manguera de suministro de combustible alejados de toda superficie caliente.
- ⚠ **No construya este modelo de barbacoa en ninguna construcción en la que la barbacoa esté incorporada de manera fija o deslizante. El no acatar esta Advertencia pudiera resultar en un fuego o una explosión que pudiera causar daños a la propiedad y heridas corporales graves o la muerte.**

PROPUESTA 65 DE CALIFORNIA

- ⚠ **ADVERTENCIA:** Al quemarse gas combustible para cocinar se generan ciertos subproductos que están en la lista de sustancias que el Estado de California sabe que causan cáncer o daños reproductivos. La ley de California exige que los negocios le adviertan a sus clientes sobre la potencial exposición a tales sustancias. Para minimizar la exposición a estas sustancias siempre opere esta unidad de acuerdo con el manual de uso y mantenimiento, y asegurándose de proporcionar una buena ventilación al cocinar con gas.

Para compras hechas en México

Si hubiese códigos locales que se aplicasen a los asadores de gas portátiles, usted deberá cumplir con la más reciente edición de NOM.

INSTALACIÓN Barbacoas de gas natural

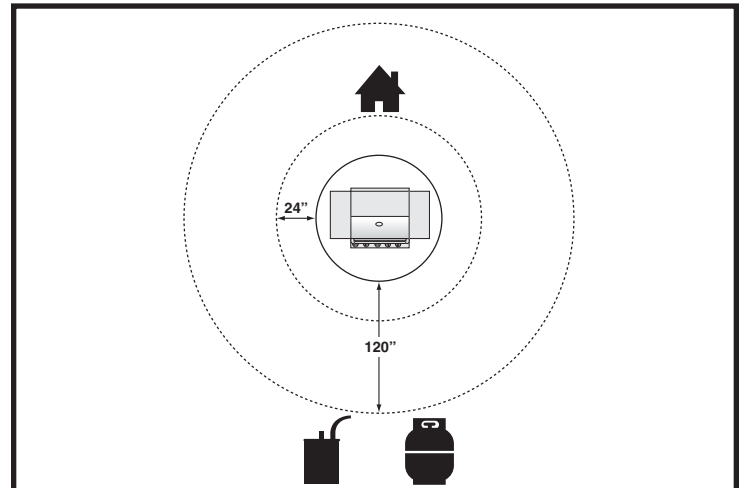
Ubicación de la barbacoa

- ¡La barbacoa de gas Ducane® ha sido fabricada para usarse solamente al aire libre! Cualquier barbacoa, sea de gas o de carbón, produce monóxido de carbono mientras está en funcionamiento, y no deberá permitirse que el gas se acumule en un área confinada. Nunca haga funcionar esta barbacoa dentro de una edificación o cualquier área cerrada como su casa, garaje o vehículo recreativo.
- Al ubicar un sitio para la barbacoa, escoja una ubicación segura al aire libre alejada de superficies inflamables o combustibles y fuera de áreas de circulación. Ducane® recomienda insistentemente una separación de 24" (60 cms) de las superficies combustibles y de 120" (3 metros) de cualquier recipiente de combustible o cilindro de propano.
- Consulte sus códigos locales para determinar si existen posibles restricciones adicionales sobre la ubicación u operación de la barbacoa.
- En la medida que la barbacoa utiliza el gas, ésta requiere de aire para quemarlo apropiadamente. No ubique la barbacoa de tal manera que obstruya el flujo de aire de combustión y ventilación alrededor de la barbacoa.
- En lo posible, ajuste la posición de la barbacoa de manera de reducir la probabilidad de que el viento sople sobre la misma.

- ⚠ **PRECAUCIÓN:** Nunca opere la barbacoa debajo de una construcción aérea combustible.
- ⚠ **PRECAUCIÓN:** Esta barbacoa no está diseñada para instalarse o fijarse a un vehículo recreativo. Tampoco lo está para instalarse en un bote.
- ⚠ **ADVERTENCIA:** Por su seguridad, no almacene gasolina u otros líquidos o vapores inflamables cerca de éste o cualquier otro artefacto doméstico. El no acatar esta advertencia pudiera conducir a un fuego, explosión o daños corporales.

Ensamblaje

Asegúrese de que la barbacoa sea ensamblada correctamente. Las instrucciones detalladas de ensamblaje están empacadas con cada barbacoa indicando los procedimientos de ensamblaje específicos para cada modelo. Siga cuidadosamente estas instrucciones para asegurar que la barbacoa sea ensamblada de manera correcta y segura.



Nivelación

Para una operación correcta de la barbacoa, es importante que sea colocada sobre una superficie a nivel.

Tipo de gas

Su barbacoa de gas natural está construida en la fábrica para operar solamente con gas natural. Nunca trate de operar la barbacoa con otros gases diferentes a los indicados en la placa de especificaciones de la misma.

Su barbacoa funciona a una presión de 7" de columna de agua. Si fuese necesario reemplazar la manguera, se requerirán partes especificadas por la fábrica. Consulte con su distribuidor local.

Por razones de seguridad y diseño, la conversión de una barbacoa Ducane® que opera con gas natural a una que opere con gas propano licuado requiere cambiar la totalidad del sistema de suministro de gas de la misma. Si esto fuese necesario, consulte a su distribuidor para mayor información.

¿Qué es el gas natural?

El gas natural, a menudo denominado metano, es un combustible moderno seguro. El gas natural es suministrado por empresas de servicio público y debería tenerlo disponible si la calefacción de su casa funciona con gas.

Instalación portátil

Se logra una portabilidad limitada cuando el cabezal de la barbacoa se monta sobre un carro portátil. Todos los cabezales de barbacoas montados en tales carros portátiles y los modelos de barbacoa con gabinete igualmente equipados pueden moverse unos 10 pies (3 metros) del punto de suministro del gas en tubería. Ducane recomienda mover la barbacoa por los menos a dos (2) pies (60 cm.) del punto de suministro de gas o de cualquier superficie combustible.

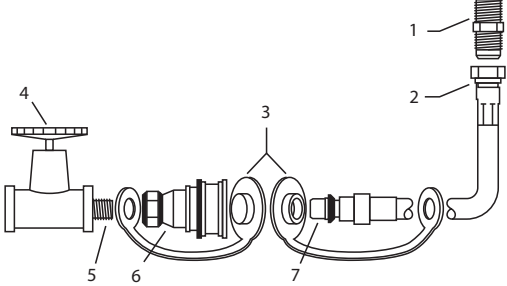
Después de haber tendido el suministro de gas y haberse verificado la ausencia de fugas de acuerdo con las instrucciones de ensamblaje, usted estará listo para empezar a asar. Para conectar la manguera al suministro de gas, hale hacia atrás el adaptador externo, inserte el adaptador de la manguera totalmente hacia adentro, y suelte el adaptador externo. Este proceso producirá una junta de gas.

Para el cuidado correcto de la barbacoa y la manguera de gas, siga las instrucciones especiales de almacenaje indicadas en la sección de Consejos Útiles de este manual.

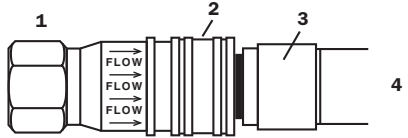
GUÍA PARA LOS INSTALADORES DEL GAS NATURAL

Esta guía es una recomendación para las instalaciones de gas natural. Le brinda consejos al instalador en cuanto al tamaño de tubería necesario para una instalación de gas natural según la distancia de la barbacoa a la casa. Toda la tubería deberá ser de cobre recubierto con estaño a prueba de corrosión o una alternativa aprobada por la AGA. La barbacoa funciona a una presión de 7" de columna de agua, la cual deberá verificarse al completarse la instalación. Para las líneas de gas natural también son aceptables las tuberías de hierro negro de similar tamaño.

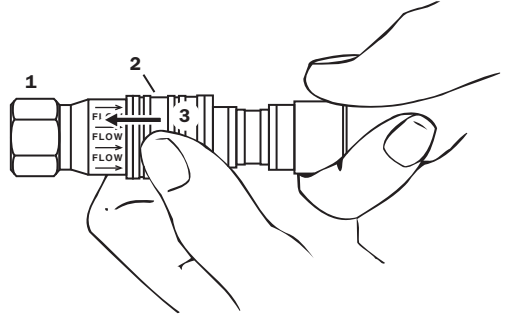
Distancia	Tamaño de tubería
1 - 7,60 m.	3/8"
7,70 - 15 m	1/2"
15,10 - 30 m	2/3 de la corrida 3/4" bajar a 1/2"
31 m o más	3/4"



1	Empalme al quemador
2	Conexión giratoria
3	Instale las cubiertas cuando la manguera esté desconectada.
4	Válvula de cierre
5	Recubra este niple con barniz de tubería resistente al gas
6	Receptáculo
7	Conexión macho



1	Receptáculo
2	Manga
3	Enchufe
4	Empuje el enchufe hasta que la manga salte hacia adelante inmovilizándolo en el receptáculo. (Esto automáticamente abre el gas)



1	Receptáculo
2	Manga
3	Empuje la manga hacia atrás

Cuando está correctamente ensamblado, el enchufe no puede sacarse sin empujar la manga hacia atrás. Para desconectar, empuje la manga hacia atrás y hale el enchufe hacia afuera.
(Esto automáticamente cierra el gas.)

Revisión de Fugas de Gas

Nunca use un fósforo o una llama para detectar una fuga. Use agua enjabonada o una solución de prueba. Aplique la solución a todos los puntos de conexión y observe cuidadosamente si se producen burbujas, que indicarán que hay una fuga de gas. Si detecta una fuga, cierre la válvula principal de suministro de gas y vuelva a ajustar las conexiones e intente el procedimiento de nuevo, y revise nuevamente si hay una fuga de gas.

- ⚠ **PRECAUCIÓN: El aparato y su válvula maestra individual deben estar desconectadas del sistema principal suministrador de gas durante cualquier revisión de presión de ese sistema a presiones de prueba en exceso de 1/2 psig (14" columna de agua).**
- ⚠ **PRECAUCIÓN: Este aparato debe estar aislado del sistema principal suministrador de gas, cerrándole su válvula maestra manual durante cualquier revisión de presión de ese sistema a presiones de prueba igual a o menos de 1/2 psig (14" columna de agua).**
- ⚠ **PRECAUCIÓN: ¡Nunca use una llama para revisar si hay una fuga de gas! El uso de una llama puede resultar en serias lesiones al cuerpo, muerte, un incendio o una explosión causando daños a la propiedad.**

IMPORTANTE

La instalación debe ser conforme a los códigos locales, y en la ausencia de códigos locales con el Código Nacional de Gas Combustible, ANSI Z223.1/NFPA 54, o CAN/CGA-B149.1; Código de Instalación de Gas Natural y Propano.

IMPORTANTE

Cuando conecte o cambie cualquier tubo o dispositivo de gas, todo punto de conexión debe ser sellado con un compuesto protector de fuga aprobado para usarse con gas natural y propano. Después de haber ajustado todas las conexiones, revise cada punto de conexión para fugas usando agua enjabonada y un pincel.

Al usar la barbacoa por primera vez

Al encender la barbacoa por primera vez, es aconsejable mantener el (los) Quemador(es) Principal(es) encendido(s) a fuego alto ("HI") durante 20 minutos con la tapa cerrada y luego apagarlos (posición "OFF"). Esto templará la barbacoa.

Encendido de la barbacoa

- ⚠ **ADVERTENCIA: Es importante, cada vez que vaya a usar la barbacoa, inspeccionar la longitud completa de la manguera de la línea de gas. Si es evidente que sufre de excesiva abrasión o desgaste, o está cortada, la manguera debe reemplazarse antes de poner a funcionar el artefacto.**
- ⚠ **PELIGRO: Siempre que trate de encender la barbacoa, asegúrese de que la tapa esté en la posición totalmente abierta. El no abrir la tapa pudiera conducir a una ignición retrasada, la cual pudiera resultar en lesiones corporales graves o la muerte, o en fuego o explosión que cause daños a la propiedad.**

Revise la lista de partes o contacte a un distribuidor autorizado para el ensamble de manguera de repuesto correcto. Para los modelos de barbacoas con bases con gabinetes, será necesario ir detrás de la barbacoa para revisar la manguera.

OPERACIÓN NORMAL

Funcionamiento del encendido rápido

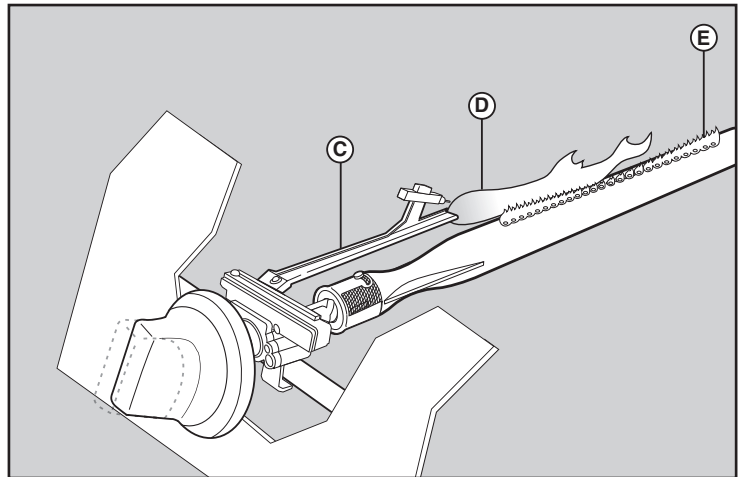
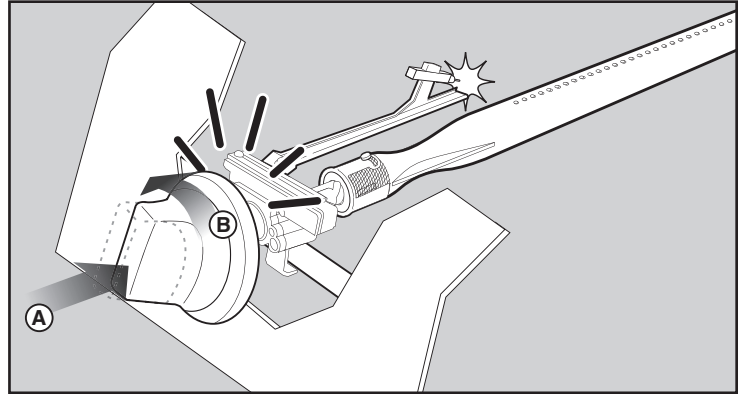
⚠ Siempre abra la tapa antes encender los quemadores

Cada perilla de control tiene su propio electrodo de encendido incorporado a ella. Para generar una chispa debe presionar la perilla de control (A) y girarla a "START/High" (encendido/fuego alto) (B).

Esta acción generará un flujo de gas y una chispa al tubo de encendido del quemador (C). Oirá un "chasquido" proveniente del encendedor. También verá una llama anaranjada de 3" - 5" de largo proveniente del tubo encendedor del quemador (D).

Mantenga presionada la perilla de control durante dos segundos adicionales después del "chasquido". Esto permitirá que el gas fluya a todo lo largo del tubo quemador (E) y se asegure el encendido.

Verifique que el quemador esté encendido viendo a través de las parrillas de cocción. Deberá ver una llama. Si el encendedor no se enciende al primer intento, presione la perilla de control y gírela a la posición "OFF" (apagada).



⚠ ADVERTENCIA: Si el quemador no se enciende, gire la perilla del control del quemador a la posición "OFF" y espere 5 minutos para permitir que el gas se disipe antes de tratar de nuevo o de tratar de encenderlo con un cerillo.

Precalentar la Parrilla

Es muy importante que su parrilla esté a temperatura antes de comenzar a usarla. Después de encender, cierre la tapa y precaliente la parrilla por 10 minutos en "HIGH" (alto). Esto asegurará que el área de cocina esté lo suficientemente caliente para una barbacoa apropiada.

⚠ ADVERTENCIA: Nunca deje su parrilla desatendida. Esto guardará contra posibles incendios de grasa que puedan salir fuera de control. Los incendios de grasa pueden ser severos y causar daños a la parrilla, a la propiedad y lesiones al cuerpo.

Cocinando con Tapa Abierta o Cerrada

Cocinando con la tapa abierta o cerrada depende de su preferencia personal. Se recomienda cocinar con la tapa cerrada si le gusta cocinar a temperaturas máximas, "chamuscando". Este método también apresurará el proceso de cocinar y le dará un sabor más robusto, ahumado, del aire libre. Si prefiere cocinar más lento, con menos llama, le aconsejamos el método con la tapa abierta.

Siempre recomendamos que cocine con la tapa CERRADA si está en un lugar de mucho viento y en un clima frío. Su parrilla Ducane® ha sido diseñada y construida para darle la mayor flexibilidad mientras cocine. Sea creativo, intente diferentes maneras de cocinar sobre su parrilla para determinar qué le queda mejor; no hay una manera "correcta" ni "equivocada" para cocinar, sino diferentes estilos.

⚠ ADVERTENCIA: Por favor acuérdesese que éste es un aparato de gas para cocinar al aire libre. Muchas áreas de la parrilla generan tremendas temperaturas. Hemos tomado todas las precauciones para protegerlos de las áreas de contacto.

Sin embargo, es imposible aislar todas las áreas de alta temperatura. Así que use su buen juicio y cierta cautela mientras cocina sobre esta parrilla. No mueva su parrilla cuando esté en uso o que esté caliente; espere hasta que haya apagado la parrilla y se haya enfriado antes de moverla de un lugar a otro. De no seguir esta advertencia podría resultar en una lesión personal.

Poscalentamiento de la Parrilla

Para ayudar a limpiar la rejilla y para terminar de vaporizar los jugos, inicie un poscalentamiento de su parrilla por 10 minutos, suba la temperatura de las hornillas a "HIGH" (alto) y cierre la tapa.

⚠ PRECAUCIÓN: No cubra las rejillas durante el poscalentamiento.

Después del poscalentamiento de su parrilla gire las perillas de control a la posición "OFF" (apagada).

Para Parrillas de Gas Natural y Sistemas de Propano

También es aconsejable cerrar la válvula principal de la fuente de gas de su Gas Natural o Sistema de Propano cuando la parrilla no esté en uso.

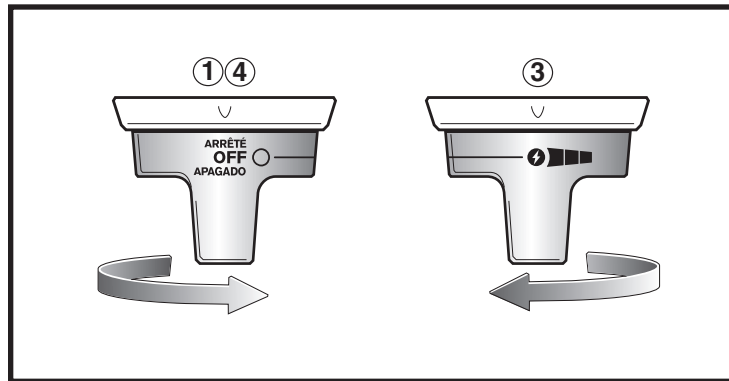
OPERACIÓN NORMAL

Hornilla Principal Encender Automáticamente

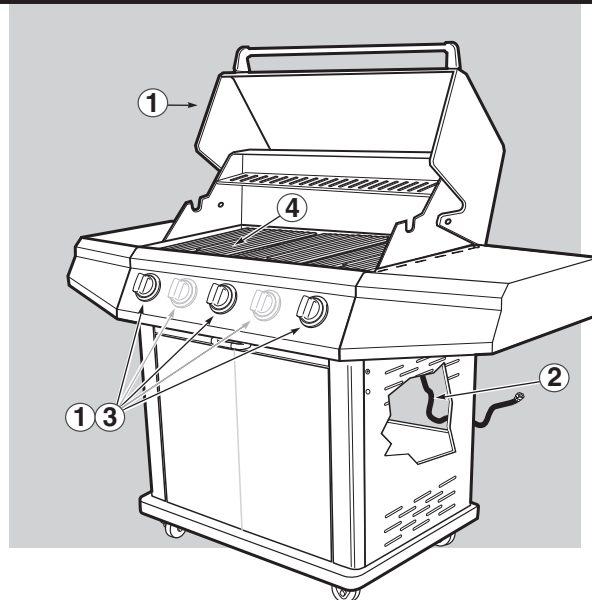
Nota: Cada perilla de control de encendido rápido crea una chispa que va del electrodo de encendido al tubo quemador de encendido. Al presionar la perilla de control y girarla a "START/HI" (encendido/fuego alto), usted genera la energía para la chispa. Esto encenderá cada quemador individual.

Siga estos simples pasos para encender su(s) Hornilla(s) Principal(es) de su parrilla:

1. Abra la tapa y asegure que todas las hornillas estén en su posición de "OFF" (apagada).
2. Abra el flujo principal de gas
3. Presione la perilla de control y gírela hacia "START/HI" (encendido/fuego alto) hasta que oiga el chasquido del encendedor - mantenga a la perilla de control en dicha posición durante dos segundos. Esta acción hará que el encendedor genere una chispa y encienda el tubo piloto y luego el quemador principal.
4. Verifique que el quemador esté encendido viendo a través de las parrillas de cocción. Deberá ver una llama. Si el encendedor no se encendió al primer intento, presione la perilla de control y gírela a la posición "OFF".



⚠ ADVERTENCIA: Si la ignición todavía no ocurre gire la perilla de control a su posición "OFF" (apagada) y espere 5 minutos antes de intentar encender la hornilla manualmente con un fósforo. Vea las Instrucciones para Encender con Fósforo.



OPERACIÓN NORMAL

Encender con Fósforos la Hornilla Principal de la Parrilla

Siga estos simples pasos a continuación para encender con fósforos su Hornilla(s) Principal(es) de su parrilla en caso de no encender automáticamente:

⚠ ADVERTENCIA: (Asegure que hayan pasado 5 minutos antes de intentar encender.) Asegure que la tapa esté completamente abierta antes de cualquier intento de encender la parrilla. Si no abre la tapa completamente, puede llevar a una ignición retrasada que causará serias lesiones al cuerpo, muerte, incendio o una explosión causando daños a la propiedad.

⚠ ADVERTENCIA: No se incline sobre la parrilla mientras esté abierta.

1. Abra la tapa y asegure que todas las hornillas estén en su posición de "OFF" (apagada).

⚠ PELIGRO: De no abrir la tapa completamente mientras intente encender la hornilla lateral o de no esperar 5 minutos para permitir que el gas se disperse, si no se enciende la hornilla principal puede resultar en una explosión que causará serias lesiones al cuerpo o muerte.

2. Abra el flujo principal de gas

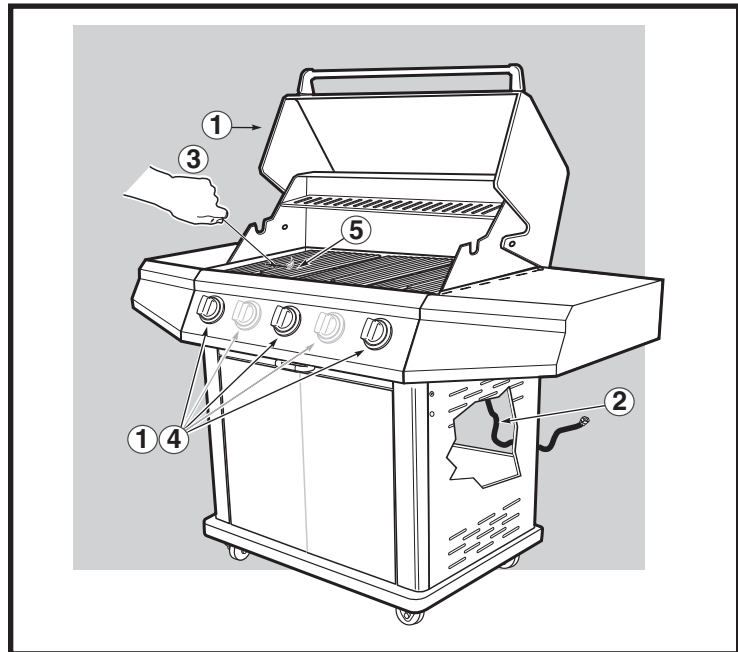
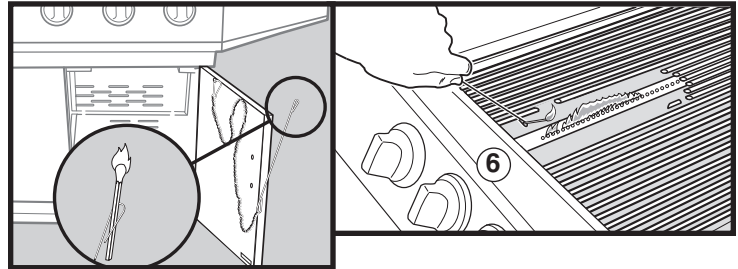
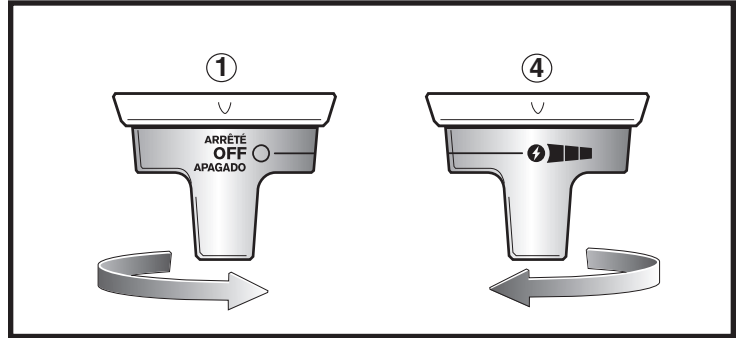
3. Poner el fósforo en su estuche y encenderlo.

4. Presione la perilla de control de la Hornilla Principal seleccionada y gire hasta indicar "HIGH" (alto).

5. Inserte el estuche del fósforo con el fósforo encendido a través de la rejilla de cocinar y encienda la HORNILLA PRINCIPAL seleccionada.

⚠ ADVERTENCIA: Si la hornilla no se enciende, gire la perilla de control seleccionada a su posición de "OFF" (apagada) y espere 5 minutos para que el gas se disperse antes de volver a intentar encender la(s) hornilla(s).

6. Verifique que la(s) Hornilla(s) Principal(es) haya encendido, inspeccionando la llama visualmente.



OPERACIÓN NORMAL

Cómo encender el quemador lateral

Para encender el Quemador Lateral de la barbacoa, siga los pasos sencillos indicados a continuación:

⚠ PELIGRO: El no abrir la tapa mientras se esté encendiendo el quemador lateral, o no esperar 5 minutos para que el gas se disipe si el quemador lateral no se enciende, puede resultar en una llamarada explosiva, la cual puede causar lesiones corporales serias o la muerte.

1. Abra la tapa del quemador lateral. Verifique que la válvula del quemador lateral esté cerrada (empuje la perilla de control hacia adentro y gírela en dirección de las agujas del reloj para asegurar de que esté en la posición "OFF"), coloque todos los quemadores que no se estén usando en la posición "OFF" (empujando hacia adentro y girando en la dirección de las agujas del reloj).
3. Presione la perilla de control del QUEMADOR LATERAL hacia adentro y gírela a "HI" (fuego alto).
4. Pulse el botón rojo de encendido varias veces, de manera que haga "clic" cada vez.
5. Si no se enciende en 5 segundos, gire el control del quemador(es) a la posición "OFF" (apagado), espere 5 minutos y repita el procedimiento de encendido.
6. Verifique que cada Quemador Lateral se haya encendido comprobando visualmente la existencia de la llama.

⚠ ADVERTENCIA: Si el quemador aún no se enciende, gire la perilla del control a la posición OFF (cerrada) y espere 5 minutos antes de proceder a encender manualmente con un cerillo. Vea las instrucciones de "Encendido con cerillos".

Encendido con cerillo del quemador lateral de la barbacoa

En caso de que el encendido electrónico fallase, siga los sencillos pasos indicados a continuación para encender con un cerillo el Quemador Lateral de la barbacoa.

1. Abra la tapa del quemador lateral. Verifique que la válvula del quemador lateral esté cerrada (empuje la perilla de control hacia adentro y gírela en dirección de las agujas del reloj para asegurar de que esté en la posición "OFF"), coloque todos los quemadores que no se estén usando en la posición "OFF" (empujando hacia adentro y girando en la dirección de las agujas del reloj).

⚠ PELIGRO: El no abrir la tapa mientras se esté encendiendo el quemador lateral, o no esperar 5 minutos para que el gas se disipe si el quemador lateral no se enciende, puede resultar en una llamarada explosiva, la cual puede causar lesiones corporales serias o la muerte.

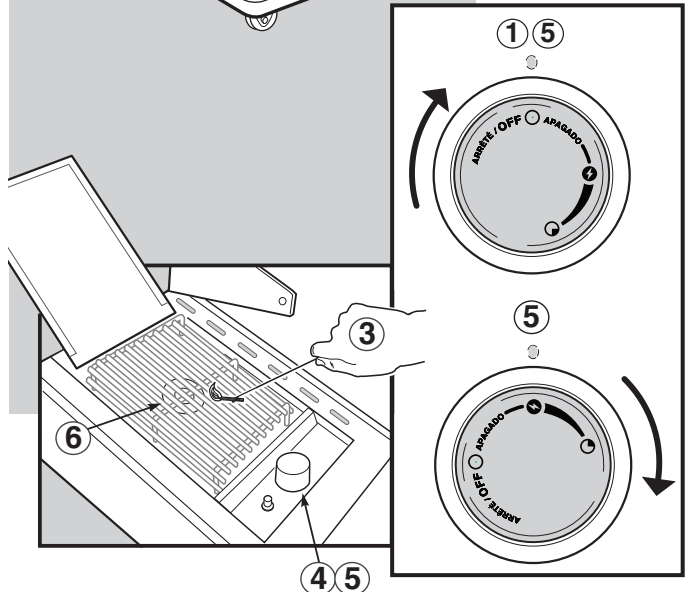
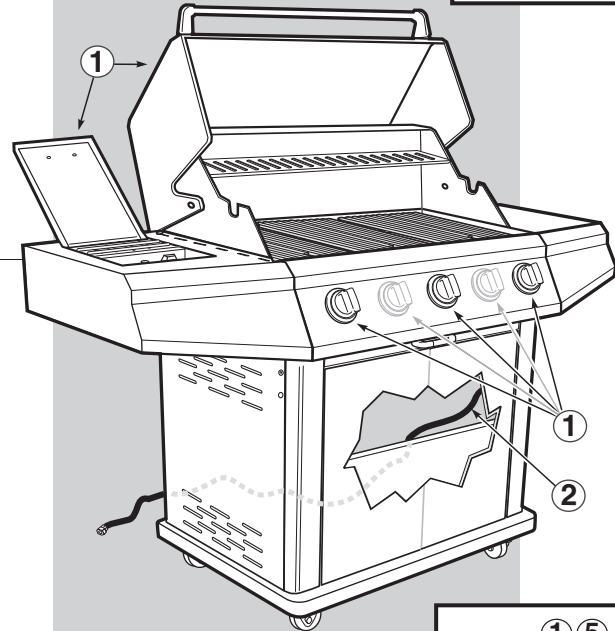
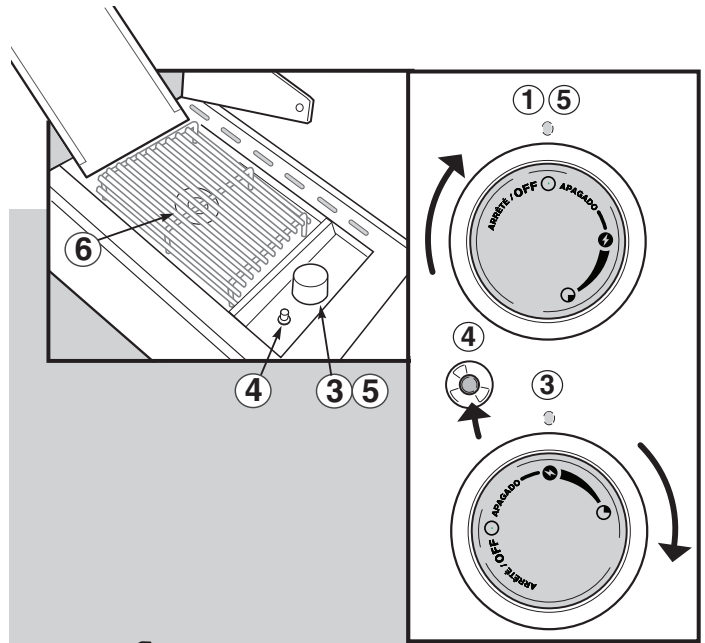
2. Abra el suministro de gas en la tubería de suministro.
3. Coloque el cerillo en el portacerillos y enciéndalo.

⚠ ADVERTENCIA: No se incline sobre la barbacoa abierta.

4. Presione la perilla de control del Quemador Lateral y gírela a la posición "HI" (fuego alto).
5. Inserte el portacerillo junto con el cerillo a través del trípode para encender el Quemador Lateral. Si no se enciende en 5 segundos, gire el control del quemador(es) a la posición "OFF" (apagado), espere 5 minutos y repita el procedimiento de encendido.

⚠ ADVERTENCIA: Si el quemador no se enciende, gire la perilla del control del Quemador Lateral a la posición OFF (apagado) y espere 5 minutos para permitir que el gas se disipe antes de tratar de nuevo.

6. Verifique que el Quemador Lateral se haya encendido comprobando visualmente la existencia de la llama.



Erupción de Llamas

Cuando se cocina comida grasosa sobre llamas puede esperar erupciones de llamas. Las erupciones son causadas por el salpique que ocurre cuando los jugos naturales de la carne caen sobre las planchas distribuidoras de calor. Las erupciones controladas es lo que le da a la comida el gusto y apariencia de barbacoa. Las erupciones excesivas pueden ocurrir si su parrilla no está nivelada o cuando esté cocinando comida grasosa, tales como costillas y pollo, y especialmente si la temperatura está muy elevada. Estas erupciones deberán ser controladas, si no su comida se quemará; no sucederá de esta manera tanto como usted piense, aunque esté directamente en la llama.

⚠ ADVERTENCIA: No eche ni salpique agua dentro de la caja para controlar las erupciones. El hacerlo anulará su garantía y puede dañar su parrilla.

Para ayudar controlar las erupciones sugerimos que cocine carne menos grasosa o elimine la grasa excesiva de la carne que piensa cocinar en la parrilla. También, su parrilla debe estar nivelada. Si las erupciones brotan, use la perilla de control y ponga la temperatura en "LOW" (bajo) y cambie la posición de la carne sobre la rejilla hasta que las erupciones disminuyan.

1. Para evitar que la comida se pegue a la rejilla, caliente la superficie de cocinar con la tapa cerrada por 10 minutos antes de comenzar a cocinar. Coloque la carne sobre la superficie y permita que se quede allí por la mitad del tiempo sugerido, como el tiempo de cocinar.
2. No es necesario darle vueltas continuas a las carnes, permita que se chamusque y que los jugos se sellen dentro de la carne y, entonces, a la mitad del tiempo, con una espátula, voltee la carne. Cuando esté cocinando pollo, siempre coloque primero el lado de la carne sobre la superficie.
3. Aplicando una ligera capa de aceite sobre la carne antes de cocinar ayuda mucho, y el uso de spray para cocinar también; éste solamente debe usarse antes de encender la parrilla y nunca mientras esté cocinado. El uso de spray para cocinar puede dejar manchas negras sobre las rejillas; esto no es dañino ni afecta el proceso de cocina. Sin embargo, si se convierte en un problema de apariencias, la mejor manera de eliminar las manchas es colocando las rejillas en un horno que se autolimpia por un ciclo de limpieza.

Almacenaje de barbacoas de gas natural

Una vez haya terminado de cocinar y limpiado la barbacoa (vea la sección de Mantenimiento para las instrucciones de limpieza), apague la barbacoa con la perilla de control del artefacto. Se recomienda enormemente que también se mantenga cerrada la válvula de cierre instalada en la línea de campo.

Cuando la barbacoa portátil va a guardarse adentro, la conexión entre la manguera y el suministro de gas debe cortarse. Aunque la conexión especial para el flujo de gas cuando se retire la conexión de la manguera, se recomienda altamente que cierre el suministro de gas antes de desconectar el ensamble de la manguera. Para proteger la conexión de gas, es necesario insertar el tapón de plástico (suministrado con el paquete de 10 pies de manguera) dentro de la conexión rápida hembra. El extremo macho de la manguera debe protegerse colocándole la capucha plástica (suministrada con el paquete de 10 pies de manguera) sobre la conexión de latón al extremo de la manguera.

Orificio de la válvula de gas

⚠ ADVERTENCIA: Cualquier alteración hecha al orificio(s), tal como haberlo taladrado, anulará la garantía y pudiera resultar en lesiones corporales graves o la muerte, o un fuego o explosión causando daños a la propiedad.

PROBLEMAS

PROBLEMA	COMPROBAR y SOLUCIÓN	IMPORTANTE
SISTEMA DE IGNICIÓN	Si tiene problemas con el sistema de ignición asegúrese que haya flujo de gas hacia la hornilla intentando encenderla con fósforos. Si se enciende el sistema con fósforos, entonces el problema está en algún lado del sistema de ignición y deberá ser revisado.	
HORNILLAS PRINCIPALES DE LA PARRILLA	<p>⚠ PRECAUCIÓN: Siempre cierre el suministro de gas (si es portátil, desde el tanque; si es de gas natural, desde la fuente principal de gas) antes de proceder con cualquier procedimiento de revisión.</p> <p>Si por alguna razón no funciona la ignición automática para encender la(s) hornilla(s) principal(es) repita el procedimiento para encender, descrita sobre el panel de control de la parrilla.</p> <p>⚠ ADVERTENCIA: La tapa debe de estar completamente abierta durante cualquier intento de encender la parrilla. De no abrir la tapa completamente, puede retrasar la ignición, lo que provocaría lesiones al cuerpo.</p> <p>Después de haber cerrado la fuente de gas principal, saque las rejillas de cocinar y as planchas distribuidoras de calor. Gire el dispositivo de ignición en sentido contrario al reloj y verifique si el electrodo está chispeando hacia el tubo de ignición. Inténtelo varias veces.</p>	<p>Si la(s) hornilla(s) principal(les) todavía no se enciende, asegure que hay flujo de gas hacia la(s) hornilla(s) intentando encenderla(s) con un fósforo. Si la(s) hornilla(s) se enciende(n) con un fósforo, entonces proceda a revisar el sistema de ignición.</p> <p>i por alguna razón el sistema de ignición todavía no funciona, siga las instrucciones para encender con fósforo.</p>
EL ENCEDEDOR DEL QUEMADOR LATERAL NO FUNCIONA	¿Se enciende el quemador con un cerillo?	Si el quemador se enciende con un cerillo, revise el encendedor (ver "Mantenimiento del quemador lateral").
HORNILLA CON POCA LLAMA	Asegúrese que en el puerto de la hornilla, el filtro, la parte final (venturi) y los orificios estén libres de obstrucción. Si su parrilla ha estado almacenada por mucho tiempo, revise y asegúrese de que no haya tela de araña tapando el filtro o los orificios.	Si todavía tiene poca llama, por favor llame a su proveedor o llame a atención al cliente, al 1-800-DUCANES
<p>Si los problemas no logran corregirse usando estos métodos, por favor póngase en contacto con el Representante de Servicio al Cliente en su área utilizando la información de contacto suministrada en nuestro sitio web. Conéctese a www.ducane.com.</p>		

Si es verdad que usted pagó mucho dinero por su parrilla, pero ni la parrilla más cara se limpia y mantiene a sí misma, y usted quiere que se vea y funcione bien, por eso esta sección de su manual es tan importante.

Esta sección le da la información necesaria para que usted pueda mantener su parrilla como nueva y funcionando bien. Lea y siga las instrucciones de esta sección y la inversión que hizo en su parrilla durará mucho años.

Rutina de Mantenimiento para la Parrilla Cada 90 Días

Se recomienda que cada 90 días se siga estos procedimientos de mantenimiento, pero es absolutamente necesario que se haga una vez al año. Aumentará la vida de su parrilla si cumple con estos procedimientos.

Limpiar la Tapa

A la parte exterior de la campana se le deberá dar mantenimiento con un limpiador de acero inoxidable. La parte interna de la campana puede limpiarse con una solución de agua tibia y detergente líquido para eliminar cualquier acumulación de grasa.

⚠ ADVERTENCIA: No levante la barbacoa utilizando el panel de control como asa. El hacerlo pudiera dañar los componentes eléctricos y de manejo del gas. Daños a los componentes eléctricos y de manejo del gas pudieran resultar en lesiones corporales graves e incluso la muerte, además de daños a la propiedad.

IMPORTANTE

- Siempre mantenga la parrilla libre de y lejos de materiales combustibles, gasolina y otros vapores y líquidos inflamables.
- No ubique su parrilla de tal manera que obstruya el flujo del combustible y no tenga ventilación alrededor de la parrilla.
- Como parte de su rutina de mantenimiento, asegúrese que todas las aberturas de ventilación estén libres y no obstaculizadas.

Limpiar las Rejillas de Acero Inoxidable

Para mantener a su parrilla operando correctamente, la rejilla de cocción de acero inoxidable deberá limpiarse frecuentemente.

1. La rejilla de acero inoxidable fácilmente puede ser limpiada después del poscalentamiento. Tan pronto como termine los 10 minutos del poscalentamiento, apague el gas. Abra la tapa con su mano protegida y, usando el cepillo de cobre, cepille la superficie de la rejilla. Después de haber completado este procedimiento, coloque toallas de papel mojadas sobre el cepillo y vuelva a cepillar la rejilla.

La rejilla de acero inoxidable de Ducane® ha sido construida con fuerte acero inoxidable. Encontrará que esta superficie es muy duradera y proporciona más calor directamente a la superficie donde cocina para lograr una experiencia más rápida y económica.

Limpiar las Planchas de Distribuidoras de Calor

Sus planchas de distribuidoras de calor también deben ser cepilladas con un cepillo de cobre de mango largo. Entonces la misma solución enjabonada usada en el paso uno se maneja aquí.

Limpiando la Caja

Limpe la caja cuando haya sacado la rejilla y las planchas distribuidoras de calor de la caja. Limpie la ceniza y pedazos de comida con agua enjabonada y un trapo no áspero. Permita que se seque antes de volver a instalar las partes.

Una pequeña cantidad de grasa puede acumularse en el fondo de la caja. Esto se puede sacar con una espátula de metal. Use la misma solución de agua enjabonada descrita en la página 32 para limpiar después que haya raspado.

Si cocina mucho con la tapa cerrada puede acumularse tanta grasa que se desprende en pedazos (esto no es pintura). Si esto pasa limpie la parte de adentro de la tapa con agua tibia enjabonada. Cuide que no se moje la hornilla.

Preserve su Gabinete, Panel de Control y Mostrador(es)

Su gabinete, panel de control y mostrador(es) están hechos de acero inoxidable. Para mantener una buena apariencia es muy fácil. Limpie con jabón y agua, enjuague con agua limpia y seque. Recomendamos que use un detergente líquido para platos diluido en agua. Para algo difícil, use un cepillo no metálico; no lo use para limpiar el mostrador.

⚠ PRECAUCIÓN: No use cepillos metálicos ásperos, ni detergentes con abrasivos en su tapa, gabinete y mostrador, pues rayará la superficie.

⚠ PRECAUCIÓN: Al limpiar las superficies, asegúrese de frotar en el sentido de la veta para preservar la apariencia del acero inoxidable.

Incendios de Grasa

Las recomendaciones en la sección de Mantenimiento con respecto a limpiar la parrilla y en la sección de Operaciones Normales con respecto a calentamiento previo y poscalentamiento son muy importantes por dos razones:

1. Mantenga su parrilla cocinando de la mejor manera conservando las superficies y los componentes de cocina limpios.
2. Por razones de seguridad, una parrilla sucia es más susceptible a incendios de grasa.

Dependiendo de cuántas veces use la parrilla y de qué tipo de comida cocina, cuántas veces hace el calentamiento previo y el poscalentamiento y la frecuencia de limpieza, cualquier parrilla puede ser susceptible a incendios de grasa. Una acumulación de grasa de carne, jugos, salsas, etc., pueden causar un severo incendio de grasa. Si un incendio de grasa llegase a ocurrir en una parrilla Ducane® las llamas probablemente serían visibles por debajo de la caja. Un severo incendio pudiera conducir a una manguera de la hornilla o regulador que alimentaría el incendio y, obviamente, hacerla peor.

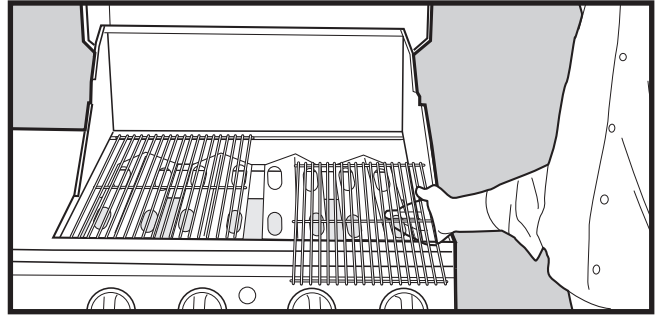
Cualquier tipo de incendio requiere que los componentes de la parrilla (manguera, regulador, tanque LP, etc.) involucrados sean revisados para ver si continúan funcionando debidamente. Si hay sospecha de una fuga, el sistema de suministro de gas (manguera, dispositivos, etc.) debe ser revisado usando agua enjabonada para verificar la fuga. Si no hay una fuga, entonces lo más probable es que sea un incendio de grasa. Un incendio de grasa puede ser lo suficiente severo para dañar su parrilla y/o causar daño a la propiedad y/o lesiones al cuerpo. Ducane no quiere que esto pase, ni usted tampoco. Siga nuestras recomendaciones de limpieza para prevenir incendios de grasa.

⚠ ADVERTENCIA: Revise el recolector de grasa para la acumulación de grasa antes de cada uso, elimínela para evitar incendios de grasa.

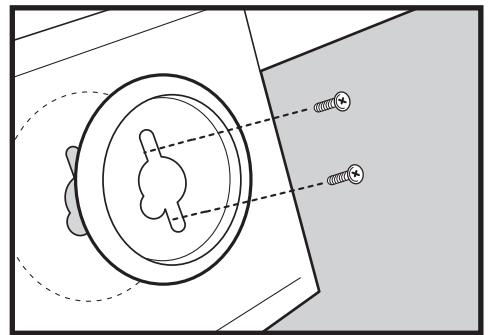
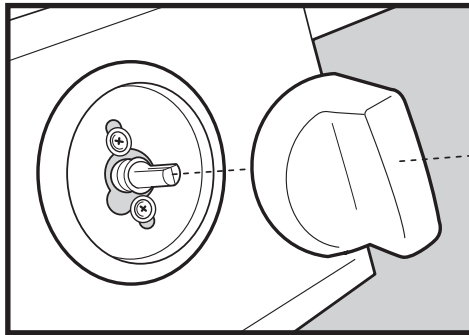
Inspección y Limpieza de la Malla Contra Arañas/Insectos

Para inspeccionar la malla contra Arañas/Insectos.

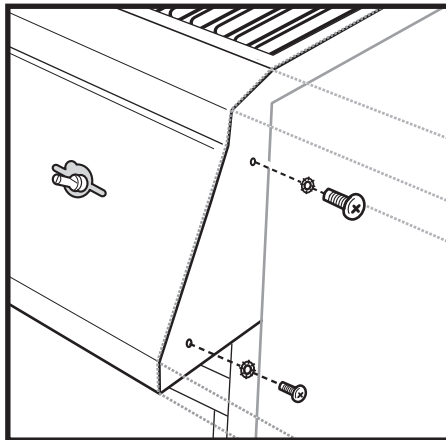
1. Cierre la fuente de gas.
2. Retire la rejilla de cocción y las placas de distribución de calor, tras lo cual quedan expuestos los tubos quemadores.



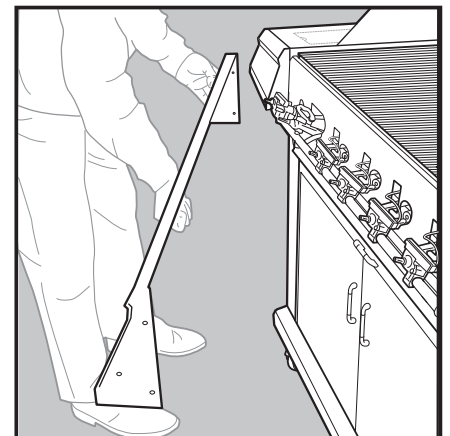
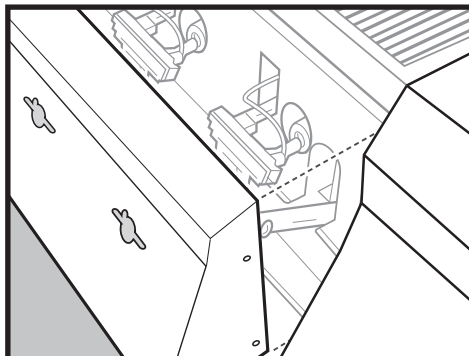
3. Retire los dos(2) tornillos y arandelas que sostienen a cada válvula al panel de control y a la moldura decorativa de las perillas de control.



4. Afloje el panel de control retirando los dos (2) tornillos a cada extremo.

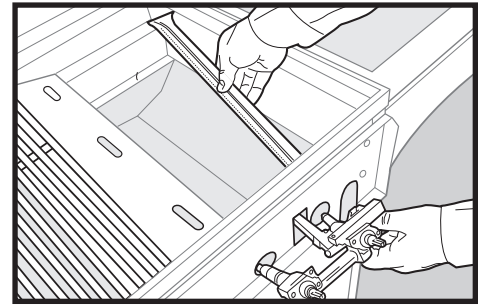
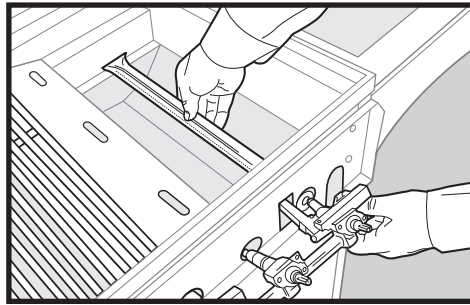


5. Hale al panel de control unas cuantas pulgadas de la parrilla.



MANTENIMIENTO ANUAL

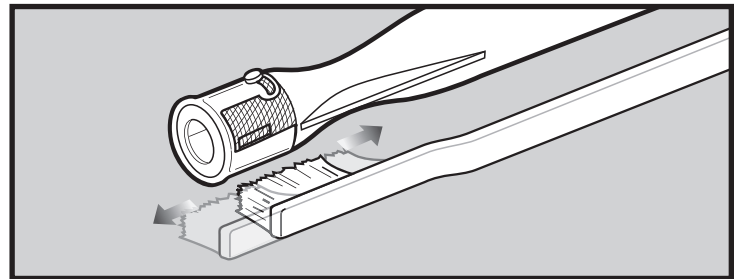
Ahora puede sacar el tubo para inspeccionarlo.



Si hay polvo o tierra sobre la(s) malla(s), cepílela ligeramente con un cepillo blando (un viejo cepillo de dientes).

⚠ PRECAUCIÓN: No limpie la malla contra Arañas/Insectos con un instrumento duro ni afilado. No la mueva de su lugar ni agrande la abertura de la malla.

Si la malla contra arañas/insectos se daña o no puede ser limpiada, llame a Ducane, a atención al cliente al 1-800-382-2637, para un repuesto. Para ensamblar siga los pasos 2 al 4 en orden reverso.



Limpieza de las mallas contra arañas e insectos.

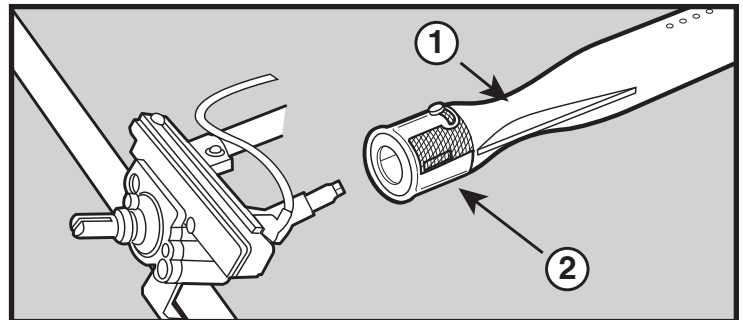
Su barbacoa de gas Ducane®, al igual que cualquier otro aparato de gas al aire libre, es un blanco para las arañas y demás insectos. Pueden crear sus nidos en la sección del venturi (1) del tubo quemador. Esto bloquea el flujo normal de gas, y puede causar que el gas fluya hacia atrás por la compuerta de cierre del aire. Esto puede resultar en un fuego en y alrededor de la compuerta de cierre del aire, causando un daño serio a la barbacoa.

La compuerta de cierre del aire del tubo quemador está equipada con una malla (2) de acero inoxidable para prevenir la entrada de arañas e insectos a los tubos quemadores a través de las aberturas de dicha compuerta de cierre del aire.

Le recomendamos que inspeccione las mallas contra arañas e insectos por lo menos una vez al año. También, inspeccione y limpie dichas mallas si cualquiera de los siguientes síntomas se presentase:

1. Olor a gas en conjunción con llamas del quemador con un apariencia muy amarilla y floja.
2. La barbacoa no alcanza la temperatura de funcionamiento.
3. La barbacoa no se calienta de manera pareja.
4. Uno o más quemadores no se encienden.

⚠ PELIGRO: El no corregir estos síntomas pudiera resultar en un fuego que puede causar lesiones corporales serias o la muerte y daños a la propiedad.

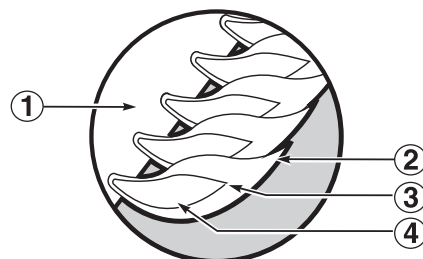


Patrón de la llama del quemador principal

Los quemadores de la barbacoa de gas Ducane® han sido ajustados en la fábrica para que les entre la mezcla correcta de aire y gas. Acá se muestra el patrón correcto de la llama.

1. Tubo quemador
2. Las puntas ocasionalmente titilarán con un color amarillo
3. Azul claro
4. Azul oscuro

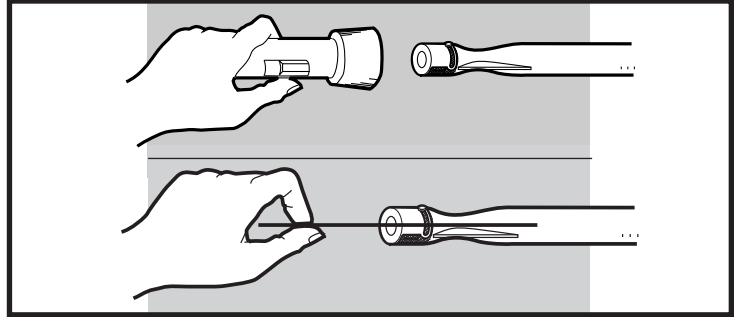
Si las llamas no se presentan de manera uniforme a lo largo del tubo quemador, siga las instrucciones de limpieza del quemador.



Limpieza del quemador principal

- Para limpiar los orificios de gas de los quemadores principales use una brocha de cerdas fuertes.
- Consulte: **Inspección y limpieza de las mallas contra insectos y arañas** para sacar el tubo quemador.
- Ahora puede sacar el tubo quemador de la caja de quemadores e inspeccionar la parte de adentro con una linterna.
- Limpie la parte interna de los quemadores con un alambre (un colgador de ropa enderezado funcionará bien). Revise y limpie la abertura de las compuertas de cierre del aire en los extremos de los quemadores.
- Revise y limpie los orificios de las válvulas. Utilice un cepillo de cerdas de acero para limpiar la parte externa de los quemadores. Esto es para asegurarse de que las aberturas de los quemadores estén completamente abiertas.

⚠ ADVERTENCIA: Al limpiar, no agrande las aberturas del quemador.



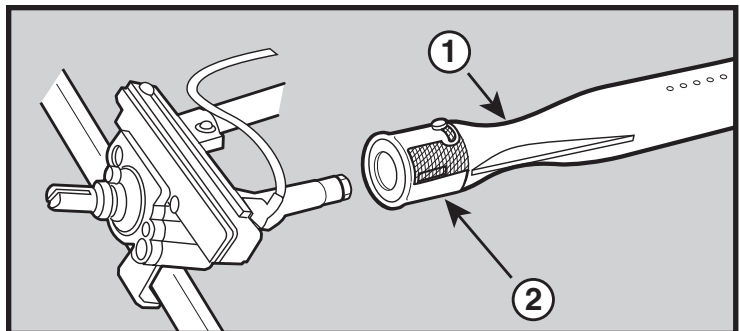
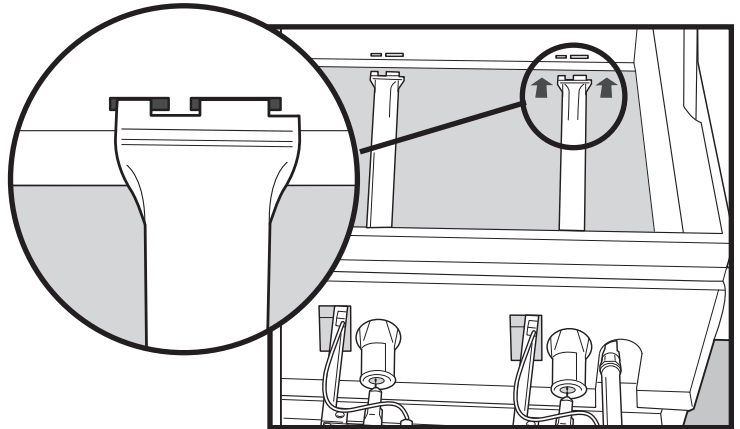
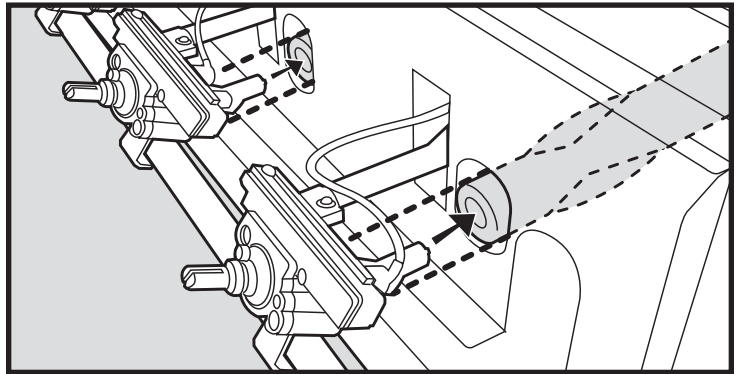
Reemplazo de los quemadores principales

1. La barbacoa de gas DUCANE® debe estar APAGADA y enfriada.
2. CIERRE el gas en la fuente.
3. Retire la parrilla de cocción y las placas de distribución de calor, dejando expuestos los tubos quemadores.
4. Saque la perillas del panel delantero, las molduras decorativas y el módulo de ignición para el encendido electrónico de los quemadores.
5. Luego retire el panel delantero.

Vea: **Inspección de las mallas contra insectos y arañas** para sacar el tubo quemador. Para rearmar, siga los pasos 3 al 5 de arriba en reverso.

⚠ PRECAUCIÓN: Las aberturas del quemador (1) deberán posicionarse correctamente sobre los orificios de la válvula (2). Verifique que el ensamblaje esté hecho correctamente antes de atornillar el múltiple/panel delantero en su sitio.

⚠ ADVERTENCIA: Después de reinstalar las líneas de gas y antes de usar la barbacoa, deberá verificarse de que no haya fugas usando una solución de agua y jabón.



3200 & 5200

ASSEMBLAGE - PG 3

#20208551

Service à la clientèle : 1-800-382-2637

**VOUS DEVEZ LIRE CE MODE D'EMPLOI
AVANT D'UTILISER VOTRE GRILL A GAZ**

⚠ DANGER

S'il y a une odeur de gaz:

1. Coupez l'admission de gaz de l'appareil.
2. Éteindre toute flamme nue.
3. Ouvrir le couvercle.
4. Si l'odeur persiste, éloignez-vous de l'appareil et appelez immédiatement le fournisseur de gaz ou le service d'incendie.

Une fuite de gaz risque de provoquer un incendie ou une explosion susceptible d'occasionner des blessures graves, voire mortelles, ou des dégâts matériels.

⚠ AVERTISSEMENT:

1. Ne pas entreposer ni utiliser de l'essence ni d'autres vapeurs ou liquides inflammables dans le voisinage de l'appareil, ni de tout autre appareil.
2. Une bouteille de propane qui n'est pas raccordée en vue de son utilisation, ne doit pas être entreposée dans le voisinage de cet appareil ou de tout autre appareil.

⚠ MISE EN GARDE: Suivez toutes les procédures de détection des fuites de ce manuel avec soin avant d'utiliser le barbecue. Faites-le même si le barbecue a été assemblé par le revendeur.

NOTE A L'INTENTION DE L'INSTALLATEUR: Les présentes instructions doivent être remises au propriétaire et le propriétaire devrait les conserver pour les utiliser plus tard.

**CET APPAREIL A GAZ EST CONÇU
POUR UNE UTILISATION EN EXTERIEUR
UNIQUEMENT.**

⚠ MISE EN GARDE: N'essayez pas d'allumer cet appareil sans lire la section des "Instructions pour l'allumage" de ce manuel.

⚠ ATTENTION: La sécurité de ce produit a été testée et celui-ci n'est certifié que pour une utilisation dans un pays spécifique. Veuillez vous reporter à la désignation de pays figurant sur le carton d'emballage.

Ces pièces sont susceptibles d'être des composants transportant ou brûlant du gaz. Veuillez contacter un Représentant du service clientèle de Ducane près de chez vous pour obtenir des renseignements sur les véritables pièces de rechange Ducane en téléphonant au 1-800-382-2637.

⚠ AVERTISSEMENT: Ne faites aucune tentative de réparation sur des composants transportant ou brûlant du gaz sans contacter Ducane. Si vous ne respectiez pas cette mise en garde concernant le produit, vos actions risqueraient de provoquer un incendie ou une explosion provoquant des blessures graves ou la mort ainsi que des dommages à la propriété.



**POUR UNE UTILISATION DOMESTIQUE
UNIQUEMENT**

**GARDER CES INSTRUCTIONS
POUR RÉFÉRENCE FUTURE**

DANGERS ET AVERTISSEMENTS

⚠ DANGER

L'omission de respecter les "Dangers", les "Avertissements" et les "Attentions" contenus dans ce manuel du propriétaire peut entraîner des blessures corporelles graves ou la mort, ou un feu ou une explosion causant des dommages matériels.

⚠ AVERTISSEMENTS

- ⚠ N'utilisez pas le panneau de contrôle comme poignée pour lever le barbecue. Le fait de lever par le panneau de contrôle peut endommager les pièces liées au gaz et à l'électricité. Tout dommage aux pièces liées au gaz et à l'électricité peut provoquer des blessures graves ou mortelles et des dégâts matériels.
- ⚠ N'entreposez pas une bouteille de propane de remplacement ou une bouteille déconnectée sous ou à proximité de ce barbecue.
- ⚠ L'assemblage incorrect peut s'avérer dangereux. Veuillez suivre attentivement les instructions d'assemblage dans ce manuel.
- ⚠ Après une période de temps d'entreposage, et/ou de non utilisation, le barbecue à gaz Ducane® devrait être vérifié pour des fuites de gaz et des obstructions au brûleur avant utilisation. Voir les instructions dans ce manuel pour les procédures appropriées.
- ⚠ Ne faites pas fonctionner le barbecue à gaz Ducane® s'il y a présence de fuite de gaz.
- ⚠ N'utilisez pas de flamme pour vérifier les fuites de gaz.
- ⚠ Les matériaux combustibles ne devraient jamais être à moins de 24 pouces du dessus, du dessous, du l'arrière ou des côtés de votre barbecue à gaz Ducane®.
- ⚠ Ne mettez pas de housse de barbecue ou n'importe quel autre objet inflammable dessus ou dans l'emplacement d'entreposage sous le barbecue.
- ⚠ Votre barbecue à gaz Ducane® ne devrait jamais être utilisé par des enfants. Les parties accessibles du barbecue peuvent être très chaudes. Gardez les jeunes enfants éloignés lors de son utilisation.
- ⚠ Vous devriez porter beaucoup d'attention en faisant fonctionner votre barbecue à gaz Ducane®. Il sera chaud durant la cuisson ou le nettoyage et ne devrait jamais être laissé sans surveillance ou déplacé pendant qu'il fonctionne.
- ⚠ Si les brûleurs s'éteignent pendant qu'il fonctionne, mettez tous les valves à gaz à la position "OFF" (FERMÉE). Ouvrez le couvercle et attendez cinq minutes avant de tenter de rallumer en utilisant les instructions d'allumage.
- ⚠ N'utilisez pas de charbon de bois ou de roche volcanique dans votre barbecue à gaz Ducane®.
- ⚠ Ne vous penchez jamais au-dessus du gril ouvert ou placez les mains ou doigts sur le bord en avant du boîtier de cuisson.
- ⚠ Si un feu de graisse se produit, éteignez tous les brûleurs et laissez le couvercle fermé jusqu'à ce que le feu s'éteigne.
- ⚠ N'agrandissez pas les orifices de valve ou les ports du brûleur en nettoyant les valves ou les brûleurs.
- ⚠ Le barbecue à gaz Ducane® devrait être nettoyé méticuleusement sur une base régulière.
- ⚠ Le gaz propane n'est pas un gaz naturel. Convertir ou tenter d'utiliser of gaz naturel dans une unité de propane ou de gaz propane en une unité de gaz naturel est dangereux et annulera votre garantie.
- ⚠ Ne tentez pas de déconnecter le raccordement de gaz pendant que votre barbecue est en fonction.
- ⚠ Utilisez des mitaines ou des gants de barbecue résistants à la chaleur en faisant fonctionner le barbecue.
- ⚠ Éloignez tout fil électrique et tout tuyau de combustible de toute surface chauffée.
- ⚠ Les produits de combustion dérivés de l'utilisation de ce produit contiennent des produits chimiques, reconnus par l'État de la Californie, pouvant causer le cancer, des défauts de naissance, ou tout autre trouble lié à la reproduction.
- ⚠ N'utilisez pas ce barbecue à moins que toutes les pièces soient en place. L'unité doit être correctement assemblée selon les instructions soulignées dans le "Guide d'assemblage".
- ⚠ N'intégrez pas ce modèle de grill à n'importe quelle construction encastrée ou à glissière. Le non respect de cet Avertissement risque de provoquer un incendie ou une explosion susceptible de provoquer des dégâts matériels ainsi que des blessures graves voire un décès.
- ⚠ Proposition 65 Avertissement : Le fait de manipuler le matériau en laiton du produit vous expose au plomb, une matière qui selon l'Etat de Californie provoque des cancers, des pathologies congénitales ou d'autres pathologies similaires.
(N'oubliez pas de vous laver les mains avant de manipuler ce produit.)

POUR LES UNITÉS AU GAZ PROPANE SEULEMENT:

- ⚠ Utilisez le régulateur qui est fourni avec votre barbecue à gaz Ducane®.
- ⚠ Ne tentez pas de déconnecter le régulateur à gaz ou tout raccordement de gaz pendant que votre barbecue est en fonction.
- ⚠ Une bouteille de propane cabossée ou rouillée peut être dangereux et devrait être vérifiée par votre fournisseur de propane. N'utilisez pas une bouteille de propane avec une valve endommagée.
- ⚠ Bien que votre bouteille de propane peut semblée vide, le gaz peut encore être présent, et la bouteille devrait être transportée et entreposée de façon appropriée.
- ⚠ Si vous voyez, sentez ou entendez le sifflement d'une fuite de gaz provenant de la bouteille de propane:
 1. Déplacez-vous loin de la bouteille de propane.
 2. Ne tentez pas de corriger le problème vous-mêmes.
 3. Appelez votre service d'incendie.

INFORMATIONS RELATIVES A LA SECURITE

IMPORTANT Nous vous recommandons de lire attentivement ce manuel et de suivre les recommandations qu'il contient. Ceci contribuera à vous assurer l'utilisation la plus agréable et la plus tranquille possible de votre nouveau Grill à gaz Ducane®. Nous vous conseillons également de conserver ce manuel pour pouvoir vous y reporter ultérieurement.

⚠ **AVERTISSEMENT:** Votre grill a été conçu pour fonctionner en utilisant uniquement le gaz spécifié sur la plaque nominale. Ne tentez pas de faire fonctionner votre grill avec d'autres gaz. Le non respect de cet avertissement pourrait entraîner un risque d'incendie et des blessures, et annulera votre garantie.

⚠ **ATTENTION: POUR VOTRE SECURITE -** Ne stockez aucun matériau inflammable dans les placards au-dessous du boîtier des brûleurs du grill ni à proximité de votre grill.

⚠ **AVERTISSEMENT:** Gardez tout fil électrique et le tuyau d'alimentation en combustible loin de toute surface chauffée.

⚠ **N'intégrez pas ce modèle de grill à n'importe quelle construction encastrée ou à glissière. Le non respect de cet Avertissement risque de provoquer un incendie ou une explosion susceptible de provoquer des dégâts matériels ainsi que des blessures graves voire un décès.**

PROPOSITION CALIFORNIENNE 65

⚠ **AVERTISSEMENT:** La combustion de combustible de cuisson au gaz génère des dérivés figurant sur la liste des substances reconnues par l'Etat de Californie comme provoquant le cancer ou des troubles de la reproduction. La loi californienne exige des entreprises qu'elles avertissent les clients de toute exposition potentielle à ces substances. Afin de minimiser l'exposition à ces substances, utilisez toujours cet appareil conformément au manuel d'utilisation et d'entretien, et assurez-vous que l'aération est bonne lorsque vous cuisinez au gaz.

INSTALLATION Grills à gaz naturel

Choix de l'emplacement de votre grill

- Votre Grill à gaz Ducane® est conçu pour une utilisation en extérieur uniquement! Tout grill, qu'il soit à charbon ou à gaz, produit du monoxyde de carbone pendant son fonctionnement et il ne faut pas laisser ce gaz s'accumuler dans une zone confinée. Ne faites jamais fonctionner le grill à l'intérieur d'un bâtiment ou de tout endroit fermé tel que votre maison, votre garage ou votre véhicule de plaisance.
- Lorsque vous choisissez un emplacement pour votre grill, choisissez un emplacement extérieur sûr éloigné de toutes surfaces inflammables ou combustibles et à l'écart des voies de passage. Ducane® recommande fortement un écart de 24" par rapport aux surfaces combustibles et de 120" (10 pieds) par rapport à tout récipient contenant un combustible ou par rapport à des bouteilles de propane.
- Veuillez consulter vos codes régionaux pour connaître les restrictions supplémentaires éventuelles concernant l'emplacement ou l'utilisation de votre grill.
- Dans la mesure où votre grill utilise du gaz, il a besoin d'air pour une bonne combustion. Ne disposez pas votre grill de manière à faire obstacle au flux d'air nécessaire à la combustion et à l'aération autour du grill.
- Chaque fois que possible, ajustez la position de votre grill afin de réduire la probabilité que celui-ci ne soit attisé par le vent.

⚠ **ATTENTION:** N'utilisez jamais votre grill au-dessous d'un toit suspendu inflammable.

⚠ **ATTENTION:** Ce grill n'est pas conçu pour être installé à l'intérieur d'un véhicule de loisir ni pour y être attaché. Il n'est pas non plus conçu pour être installé dans la cabine ou sur le pont d'un bateau.

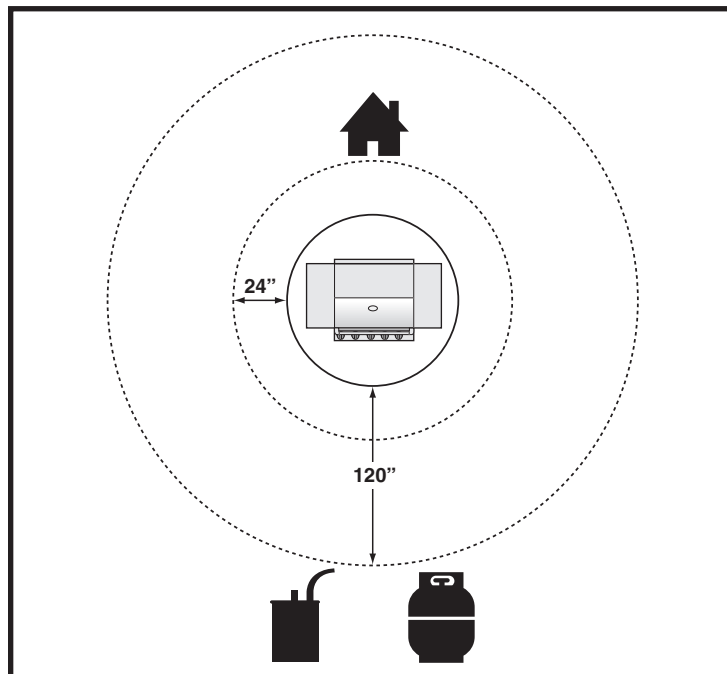
⚠ **AVERTISSEMENT:** Pour votre sécurité, ne stockez pas ou n'utilisez pas d'essence ou d'autres vapeurs et liquides inflammables dans le voisinage de cet appareil ni de tout autre appareil. Le non respect de cette mesure de sécurité pourrait entraîner un incendie, une explosion et des blessures.

Montage

Assurez-vous que votre grill est monté correctement. Des instructions de montage détaillées sont fournies avec chaque grill et donnent des procédures de montage spécifiques pour chaque modèle. Veuillez suivre ces instructions avec soin pour garantir le montage correct et sans danger du grill.

Nivelage du sol

Il est important pour une utilisation correcte du grill que celui-ci se trouve sur une surface plane.



Type de gaz

Votre grill à Gaz naturel est conçu en usine pour fonctionner en utilisant uniquement du Gaz naturel. Ne tentez jamais de faire fonctionner votre grill avec des gaz différents du type spécifié sur les plaques nominales du grill.

Votre grill fonctionne avec une pression de colonne d'eau de 7". Si le remplacement du tuyau devient nécessaire, les pièces spécifiées par l'usine sont nécessaires. Veuillez vous renseigner auprès du revendeur le plus proche.

Pour des raisons de sécurité et de conception, la conversion d'un grill Ducane® d'un fonctionnement au Gaz naturel à un fonctionnement au gaz PL nécessite le remplacement de la totalité du dispositif d'arrivée de gaz du grill. Si cela devient nécessaire, veuillez consulter votre revendeur pour plus de renseignements.

Qu'est-ce que le Gaz naturel?

Le Gaz naturel, souvent appelé méthane, est un combustible moderne et sûr. Le Gaz naturel est fourni par votre service public local et devrait être disponible si votre maison est déjà chauffée au gaz.

Installation portative

Une mobilité restreinte peut être apportée à la tête du grill lorsqu'elle est montée sur le chariot portatif. Toutes les têtes de grills montées sur ce chariot portatif et tous les grills à placard ainsi équipés peuvent être déplacés à une distance d'environ 10 pieds par rapport à l'admission de gaz principale. Ducane recommande de déplacer le grill à une distance d'au moins deux (2) pieds par rapport à l'admission de gaz et à toute surface inflammable.

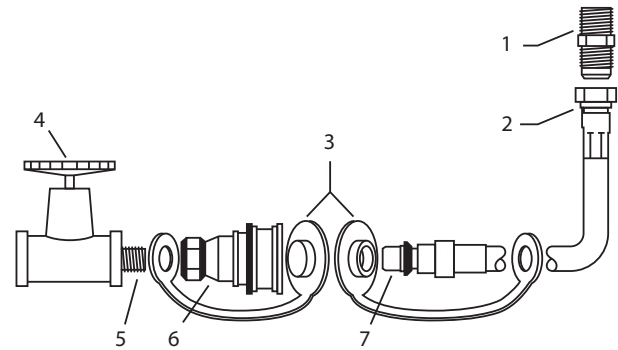
Une fois que l'admission de gaz a fait l'objet d'un contrôle de détection des fuites conformément aux instructions de montage, vous être prêt à faire des grillades. Pour raccorder le tuyau à l'admission de gaz, tirez sur le raccord externe, insérez le raccord du tuyau jusqu'au bout et relâchez le raccord externe. Cette procédure produira un joint de sortie de gaz.

Suivez les instructions de stockage spécifiques situées dans la section Astuces de ce mode d'emploi pour faire preuve de la prudence qui convient par rapport à votre grill et à son tuyau de gaz.

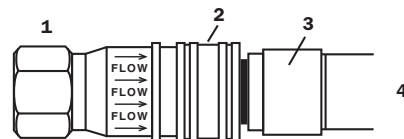
GUIDE DE L'INSTALLATEUR DE GAZ NATUREL

Ce guide contient des recommandations pour les installations de gaz naturel. Il conseille l'installateur en ce qui concerne la taille des canalisations nécessaires sur une installation au gaz naturel en fonction de la distance séparant le grill de la maison. Toutes les canalisations devraient être en cuivre recouvert d'étain anticorrosif ou dans une matière alternative homologuée par l'AGA. La pression de fonctionnement du grill est de 7" de colonne d'eau. Ceci devrait être vérifié une fois que l'installation est terminée. Une canalisation de fer noir de même taille est également acceptable pour les conduites de gaz naturel.

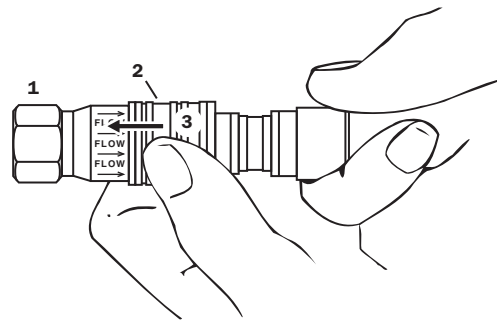
Distance	Taille de la conduite
1 - 25 pieds	3/8"
26 - 50 pieds	1/2"
51- 100 pieds	2/3 de la longueur de 3/4" à 1/2"
101 pieds ou plus	3/4"



1	Point de contact des torches
2	Raccord pivotant
3	Mettez les couvercles en place lorsque le tuyau est déconnecté
4	Valve de fermeture
5	Enduisez le manchon de cette canalisation de pâte à joints
6	Douille
7	Raccord mâle



1	Douille
2	Manche
3	Fiche
4	Enfoncez la fiche jusqu'à ce que la manche s'avance et bloque la fiche dans la douille. (Ceci ferme automatiquement le gaz.)



1	Douille
2	Manche
3	Reculez la manche

Lorsque l'assemblage a été effectué correctement, il est impossible de retirer la fiche sans pousser la manche en arrière.
Pour déconnecter, poussez la manche vers l'arrière et tirez sur la fiche.
(Ceci ferme automatiquement le gaz.)

Vérifications des fuites de gaz

Avant de faire fonctionner votre grill, vérifiez minutieusement pour être certain que tous les raccords sont serrés et qu'il n'y a aucune fuite de gaz. N'utilisez jamais une allumette ou une flamme pour la détection de fuites. Utilisez une solution d'eau savonneuse pour tester. Brossez la solution sur les endroits de raccordement et regardez de près pour des bulles indiquant l'échappement de gaz. Si des fuites sont détectées, fermez la valve de la source principale d'alimentation en gaz et resserrez solidement les raccords, puis répétez le test de fuite.

- ⚠ **ATTENTION: L'appareil et sa valve d'arrêt individuel doivent être déconnectés du système de tuyauterie de la source d'alimentation en gaz durant tout test de pression de ce système aux pressions d'essai en excès de 352 mm (14") de colonne d'eau (ou 1/2 psig).**
- ⚠ **ATTENTION: l'appareil doit être isolé du système de tuyauterie de la source d'alimentation en gaz en fermant sa valve d'arrêt manuelle individuelle durant tout test de pression du système de tuyauterie de la source d'alimentation en gaz aux pressions d'essai égale ou moins que 352 mm (14") de colonne d'eau (ou 1/2 psig).**
- ⚠ **ATTENTION: N'utilisez jamais une flamme nue pour tester des fuites de gaz! L'utilisation d'une flamme nue peut entraîner des blessures corporelles graves ou la mort, ou un feu ou une explosion causant des dommages matériels.**

IMPORTANT

L'installation doit être conforme avec les normes régionales ou, en l'absence de normes régionales, avec soit le National Combustible Gas Code, ANSI Z223.1/NFPA 54, ou CAN/CGA-B149.1; Natural Gas and Propane Installation Code.

IMPORTANT

En raccordant ou en remplaçant tout tuyau ou raccordement de gaz, tous les joints doivent être scellés avec un composé scellant anti-fuite approuvé pour l'utilisation avec un gaz naturel et propane. Après avoir fait les raccords, vérifiez tous les joints pour la présence de fuites en utilisant une brosse avec de l'eau savonneuse.

Rodage de votre grill

Lorsque vous allumez votre grill pour la première fois, nous vous conseillons de faire brûler le brûleur principal ou les brûleurs principaux sur "HI" pendant 20 minutes avec la hotte abaissée puis de fermer les brûleurs principaux ("OFF"). Ceci dégraisse le grill.

Allumage de votre grill

- ⚠ **AVERTISSEMENT: Avant chaque utilisation de votre grill, il est important d'inspecter le tuyau de la conduite de gaz sur toute sa longueur. Si l'existence d'une abrasion ou d'une usure excessive est évidente, ou si le tuyau est coupé, le tuyau doit être remplacé avant la mise en marche de l'appareil.**
- ⚠ **DANGER: Assurez-vous que le couvercle est complètement ouvert à chaque fois que vous tentez d'allumer votre grill. Le fait de ne pas ouvrir le grill pourrait entraîner un retard d'allumage susceptible de provoquer des blessures graves, la mort, un incendie ou une explosion provoquant des dommages à la propriété.**

Vérifiez votre liste de pièces ou renseignez-vous auprès de votre revendeur agréé pour le remplacement correct de l'ensemble du tuyau. Pour les grills avec placards inférieurs, il sera nécessaire de passer derrière votre grill pour vérifier le tuyau.

UTILISATION NORMALE

UTILISATION DU BOUTON D'ALLUMAGE

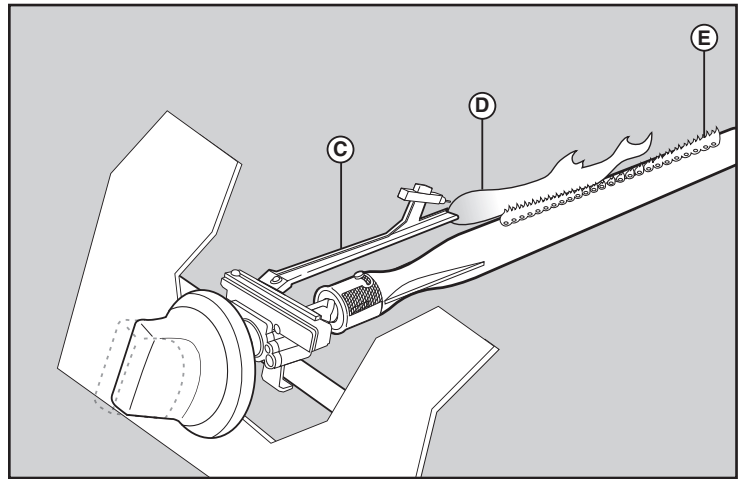
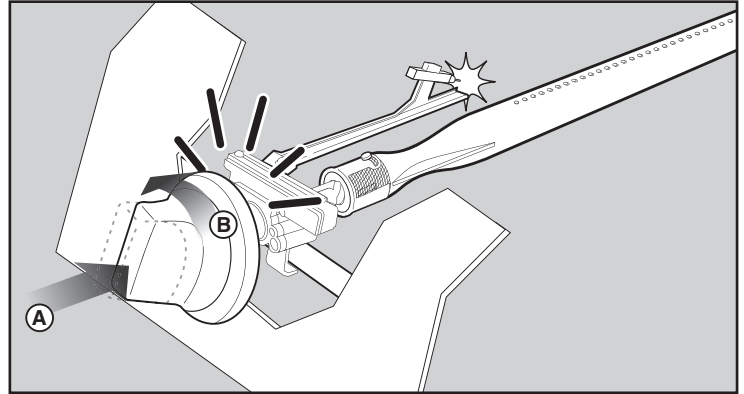
⚠ Ouvrez toujours le couvercle avant d'allumer les brûleurs.

Chaque bouton de commande est pourvu d'une électrode d'allumage intégrée. Pour créer une étincelle, vous devez enfoncer le bouton de commande (A) et le tourner vers "START/High" (B).

Cette action génère une circulation de gaz et une étincelle en direction du tube d'allumage du brûleur (C). Vous entendez un dé clic en provenance de l'allumeur. Vous voyez également une flamme orange de 3" à 5" sortir du tube d'allumage du brûleur du côté gauche du brûleur (D).

Maintenez le tube du brûleur enfoncé pendant deux secondes après le dé clic. Cela permet au gaz de circuler tout le long du tube du brûleur (E) et garantit l'allumage.

Vérifiez que le brûleur est allumé en regardant à travers les grilles de cuisson. Vous devriez voir une flamme. Si le brûleur ne s'allume pas au premier essai, enfoncez le bouton de commande et positionnez-le sur OFF.



⚠ MISE EN GARDE: Si le brûleur ne s'allume toujours pas, positionnez le bouton de commande du brûleur sur "OFF" puis patientez 5 minutes pour laisser le gaz se dissiper avant d'essayer à nouveau ou d'essayer d'allumer le brûleur avec une allumette.

Préchauffage du gril

Il est extrêmement important que votre gril soit à température de cuisson avant de commencer à vous en servir. Après l'allumage, fermez le couvercle et préchauffez le gril à "HIGH" pour 10 minutes. Ce préchauffage assurera que la grille de cuisson soit assez chaude pour un grillage adéquat.

⚠ AVERTISSEMENT: Ne laissez jamais un gril sans surveillance. Ceci vous protégera contre les feux de graisse possible devenant impossible à contrôler. Les feux de graisse peuvent être violents et causer des dommages au gril, des dommages matériels et des blessures corporelles.

Ouverture ou fermeture du couvercle pour le grillage

La cuisson avec le couvercle ouvert ou fermé est une question de goût personnel. La cuisson avec le couvercle fermé est recommandé si vous aimez la cuisson à des températures de "saisie" maximum. Cette méthode accélère également le processus de cuisson, et vous donnera une saveur en surface plus corsée et fumée. Si vous préférez la cuisson plus lente, qui s'embrace moins, nous suggérerons la méthode du couvercle ouvert. Nous recommandons toujours la cuisson avec votre couvercle FERMÉ si vous êtes dans un endroit venteux ou un climat plus froid. Votre gril au gaz Ducane® a été conçu et construit pour vous offrir une flexibilité et une performance de cuisson maximum. Soyez créatif, essayez des méthodes de cuisson différentes sur votre gril pour déterminer laquelle correspond le mieux à votre besoin...il n'y a aucune "bonne" ou "mauvaise" façon de cuisiner...seulement des styles individuels différents.

⚠ AVERTISSEMENT: Veuillez vous rappeler que ceci est un appareil de cuisson au gaz pour l'extérieur. Plusieurs endroits du gril produisent une chaleur extrême. Nous avons

pris toutes les précautions pour vous protéger des régions de contact. Toutefois, il est impossible d'isoler toutes les régions à température élevée. Par conséquent, utilisez votre bon jugement et un minimum de prudence durant le grillage avec ce produit. Nous suggérons de protéger et de couvrir vos mains durant le fonctionnement du gril. Ne déplacez pas votre gril lorsqu'il est en fonction ou encore chaud au toucher. Attendez jusqu'à ce que votre unité soit éteinte et bien refroidie avant de le déplacer d'un endroit à l'autre. L'omission de respecter cet avertissement pourrait entraîner des blessures.

Gril de post-chauffage

Pour faciliter le nettoyage de votre grille de cuisson et pour vaporiser complètement le jus qui reste, continuez de faire chauffer le gril pendant 10 minutes après la cuisson avec les brûleurs à "HIGH" et le couvercle fermé

⚠ ATTENTION: Ne couvrez pas la grille de cuisson durant la période de post-chauffage.

Après avoir complété le post-chauffage de votre gril, tournez les manettes de contrôle à la position "OFF" (FERMÉE)

Pour les grils de systèmes au gaz naturel et au propane

Il est également conseillé de fermer la source d'alimentation du système au gaz naturel ou au gaz propane à la valve d'arrêt principal lorsque votre gril n'est pas en service.

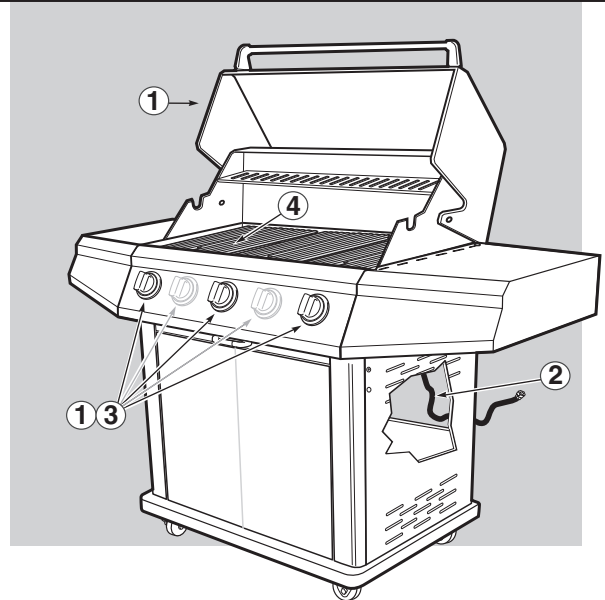
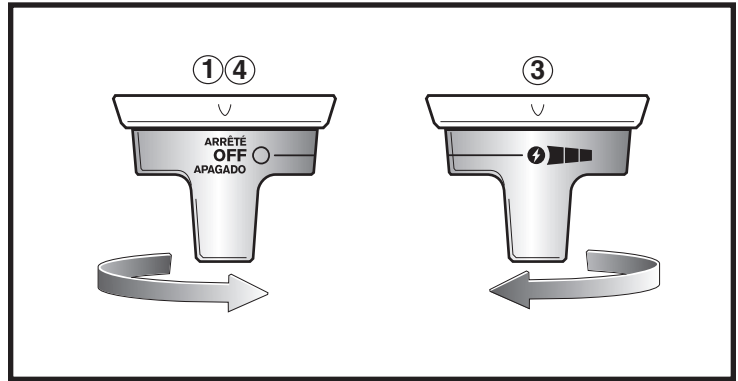
Allumage par étincelle du brûleur principal

Remarque: Chaque allumeur à bouton de commande crée une étincelle à partir de l'électrode de l'allumeur en direction du tube d'allumage du brûleur. Vous générez l'énergie nécessaire à la création de l'étincelle en enfonçant le bouton de commande et en le tournant vers "START/HI". Ceci allume chaque brûleur individuel.

Suivez les étapes simples énumérées ci-dessous pour allumer le brûleur principal de votre gril :

1. Ouvrez le couvercle et assurez-vous que tous les brûleurs sont à la position "OFF" (FERMÉE).
2. Ouvrez la source d'alimentation principale en gaz.
3. Enfonchez le bouton de commande et tournez-le vers "START/HI" jusqu'à ce que vous entendiez le déclic de l'allumeur - maintenez le bouton de commande enfoncé pendant deux secondes. Cette action envoie une étincelle vers l'allumeur, le tube d'allumage du brûleur puis le brûleur principal.
4. Vérifiez que le brûleur est allumé en regardant à travers les grilles de cuisson. Vous devriez voir une flamme. si le brûleur ne s'allume pas au premier essai, enfoncez le bouton de commande et positionnez-le sur OFF.

⚠ AVERTISSEMENT: Si l'allumage ne se produit pas encore, tournez la manette de contrôle à "OFF" (FERMÉE) et attendez 5 minutes avant l'allumage manuel du brûleur avec une allumette. Voir les instructions d'allumage par allumette.



UTILISATION NORMALE

Allumage par allumette du brûleur principal de votre grill

Suivez les étapes simples énumérées ci-dessous pour allumer par allumette un brûleur principal du grill, dans le cas où l'allumage par étincelle échoue :

- ⚠ **AVERTISSEMENT:** (Assurez-vous que 5 minutes se sont écoulées depuis la dernière tentative d'allumage.) Assurez-vous que le couvercle est en position d'ouverture complète en tout temps que vous tentez d'allumer votre grill. L'omission d'ouvrir le couvercle pourrait entraîner un allumage retardé qui peut entraîner des blessures corporelles graves ou la mort, ou un feu ou une explosion causant des dommages matériels
- ⚠ **AVERTISSEMENT:** Ne vous penchez pas au-dessus d'un barbecue ouvert.

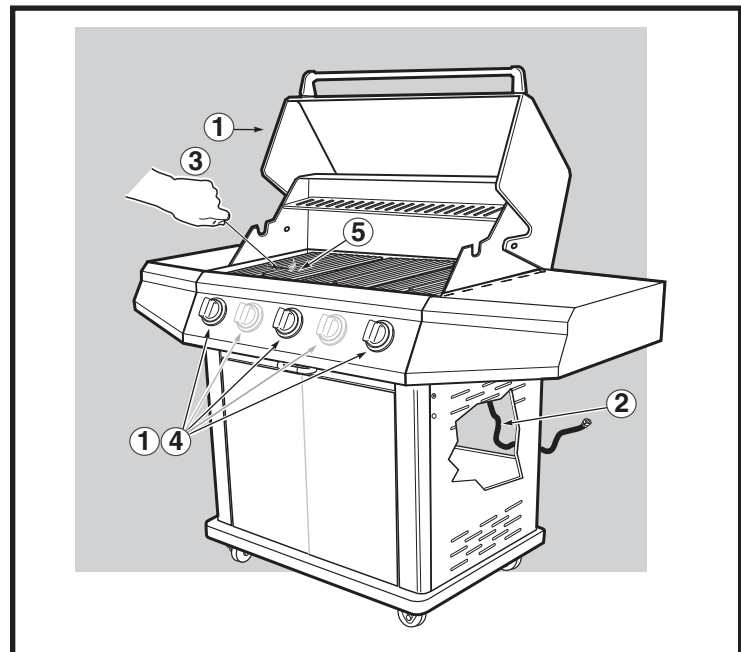
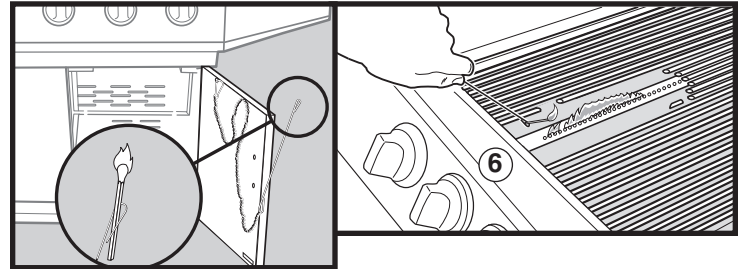
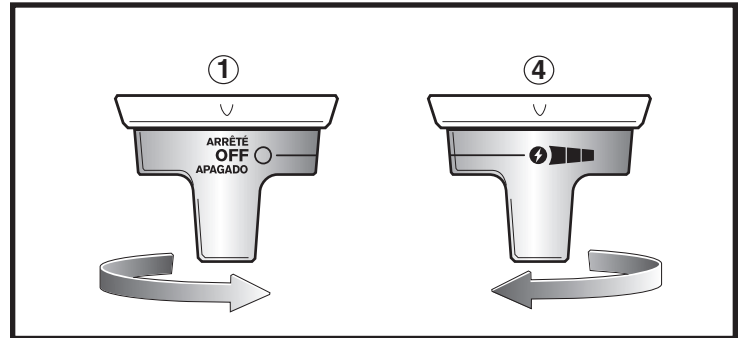
1. Ouvrez le couvercle et assurez-vous que tous les brûleurs sont à la position "OFF" (FERMÉE).

- ⚠ **DANGER:** L'omission d'ouvrir le couvercle pendant l'allumage d'un brûleur principal, ou ne pas attendre 5 minutes pour permettre au gaz de s'évacuer si le brûleur latéral ne s'allume pas, peut provoquer une flamme explosive qui peut causer des blessures corporelles ou la mort.

2. Ouvrez la source d'alimentation principale en gaz.
3. Mettez l'allumette dans le porte-allumette et frottez l'allumette.
4. Appuyez sur la manette de contrôle du brûleur principal sélectionné et tournez-la à "HIGH".
5. Insérez le porte-allumette et allumez l'allumette vers le bas à travers la grille de cuisson pour allumer le brûleur principal sélectionné.

- ⚠ **AVERTISSEMENT:** Si le brûleur ne s'allume pas, tournez la manette de contrôle du brûleur sélectionné à "OFF" (FERMÉE) et attendez 5 minutes pour laisser le gaz s'évacuer avant d'essayer encore d'allumer un brûleur.

6. Vérifiez si le brûleur principal sélectionné a été allumé par inspection visuelle d'une flamme.



UTILISATION NORMALE

Allumage Du Brûleur Latéral

Suivez les étapes simples ci-dessous pour allumer le Brûleur latéral (BL) de votre grill:

⚠ DANGER: Le fait de ne pas ouvrir le couvercle en allumant le brûleur latéral ou de ne pas patienter 5 minutes pour laisser le gaz se dissiper si le brûleur latéral ne s'allumait pas pourrait provoquer un embrasement explosif susceptible de provoquer des blessures ou la mort.

1. Ouvrez le couvercle du brûleur latéral. Vérifiez que le brûleur latéral est positionné sur "OFF". (Enfoncez le bouton de commande et tournez dans le sens des aiguilles d'une montre pour vous assurer qu'il est positionné sur "OFF"), positionnez tous les brûleurs inutilisés sur "OFF" (Enfoncez et tournez dans le sens des aiguilles d'une montre).
2. Ouvrez l'arrivée de gaz principale.
3. Enfoncez le bouton de commande du BRULEUR LATERAL et positionnez-le sur "HI".
4. Appuyez plusieurs fois sur le bouton de l'allumeur de sorte qu'il produise un dé clic à chaque fois.
5. Si l'appareil ne s'allume pas en 5 secondes, fermez le robinet du brûleur, attendez 5 minutes, et procédez de nouveau à l'allumage.
6. Vérifiez si le brûleur latéral s'est allumé en effectuant une inspection visuelle de la flamme.

⚠ AVERTISSEMENT: Si l'allumage ne se produit toujours pas, positionnez le bouton de commande sur OFF et patientez 5 minutes avant d'allumer le brûleur manuellement au moyen d'une allumette. Voir les instructions pour l'Allumage avec une allumette.

Allumage du brûleur latéral de votre grill au moyen d'une allumette

Suivez les étapes simples ci-dessous pour allumer le Brûleur latéral du grill au moyen d'une allumette, au cas où l'allumage électronique ne fonctionnerait pas :

1. Ouvrez le couvercle du brûleur latéral. Vérifiez que le brûleur latéral est positionné sur "OFF". (Enfoncez le bouton de commande et tournez dans le sens des aiguilles d'une montre pour vous assurer qu'il est positionné sur "OFF"), positionnez tous les brûleurs inutilisés sur "OFF" (Enfoncez et tournez dans le sens des aiguilles d'une montre).

⚠ DANGER: Le fait de ne pas ouvrir le couvercle lorsque vous allumez le Brûleur latéral, ou de ne pas patienter 5 minutes pour laisser le gaz se dissiper si le Brûleur latéral ne s'allumait pas, peut provoquer un embrasement explosif susceptible de provoquer une blessure ou la mort.

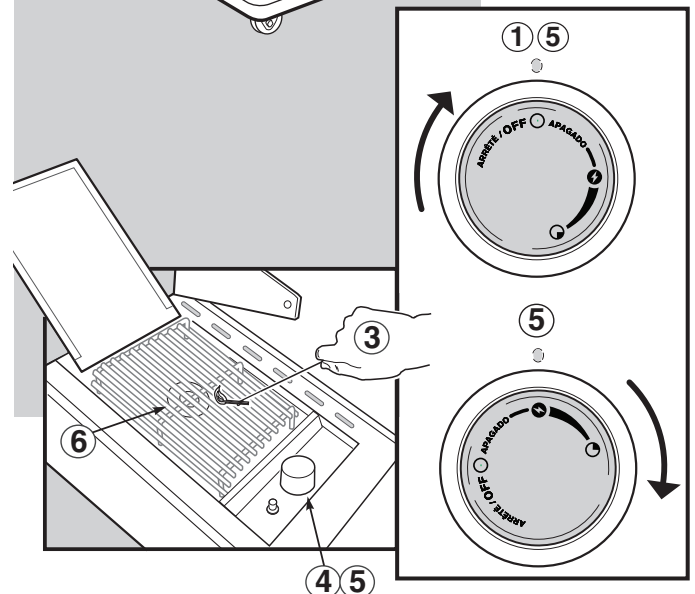
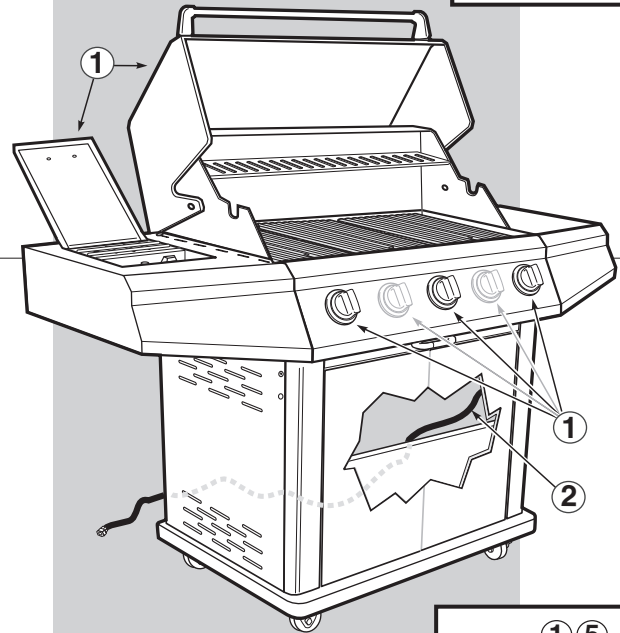
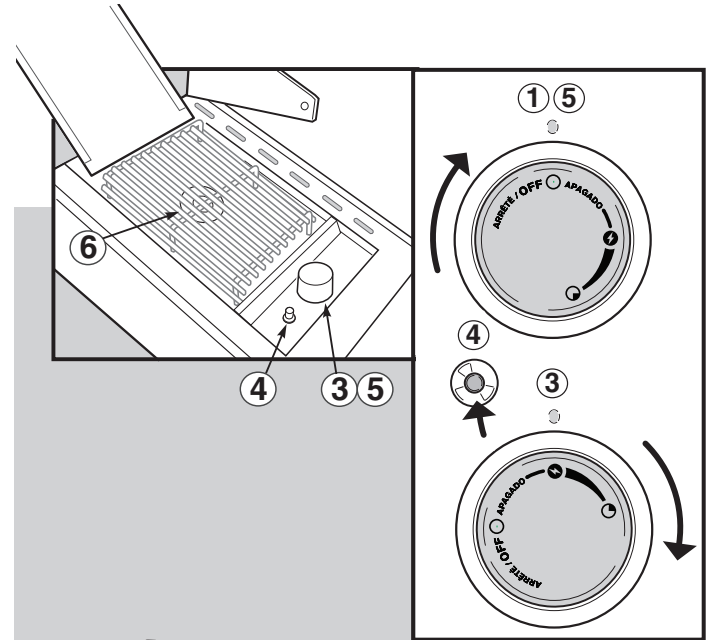
2. Ouvrez l'admission de gaz principale.
3. Placez l'allumette dans le porte-allumette puis frottez l'allumette.

⚠ AVERTISSEMENT: Ne vous penchez pas au-dessus d'un barbecue ouvert.

4. Enfoncez le bouton de commande du Brûleur latéral puis positionnez-le sur "HI".
5. Insérez le porte-allumette et allumez l'allumette à travers la grille pour allumer le Brûleur latéral. Si l'appareil ne s'allume pas en 5 secondes, fermez le robinet du brûleur, attendez 5 minutes, et procédez de nouveau à l'allumage.

⚠ AVERTISSEMENT: Si le brûleur ne s'allume pas, tournez le bouton de commande du Brûleur latéral pour le positionner sur OFF puis patientez 5 minutes afin de laisser le gaz se dissiper avant de tenter à nouveau d'allumer le brûleur.

6. Vérifiez que le Brûleur latéral s'est allumé en effectuant une inspection visuelle de la flamme.



Flammes explosives

En tout temps que vous chauffez des aliments gras au-dessus d'une flamme nue, vous pouvez vous attendre à des flammes explosives. Les flammes explosives sont causées par l'éclat qui se produit lorsque le jus naturel tombe sur les plaques de distribution de chaleur. Les flammes explosives contrôlées donnent aux aliments leur saveur délicieuse et leur apparence de plein air. Les flammes explosives excessives peuvent se produire lorsque votre gril n'est pas à niveau ou pendant la cuisson des aliments gras tels que des côtes levées et des morceaux de poulet, surtout si la température de cuisson est réglée à un niveau trop élevé. Ces flammes explosives devraient être contrôlées ou votre nourriture brûlera, bien qu'il ne brûlera pas autant que vous le pensez même dans la flamme directe.

⚠ AVERTISSEMENT: N'arrosez pas ou ne versez pas de liquide dans le boîtier de cuisson pour contrôler les flammes explosives. Si vous le faites, votre garantie s'annulera et vous pouvez endommager le gril.

Pour vous aider à contrôler les flammes explosives, nous suggérons d'utiliser des coupes de viande plus minces et retirez l'excès de gras des viandes à griller. De plus, votre gril devrait être à niveau. Si les flammes explosives se produisent, utilisez le réglage de contrôle "LOW" et replacez la viande sur la grille de cuisson jusqu'à ce que les flammes explosives s'atténuent.

1. Pour prévenir la nourriture de coller à la grille, préchauffez la surface de cuisson avec le couvercle baissé pour 10 minutes. Placez le produit de viande sur la grille et laissez-le là pour au moins la moitié du temps de cuisson suggéré.
2. Il n'est pas nécessaire de tourner continuellement les produits de viande — laissez-les saisir et sceller leur jus à l'intérieur, puis, à la mi-temps de la période de cuisson, avec une spatule, tournez le produit de viande sur l'autre côté. En grillant du poulet, placez toujours d'abord le côté de viande sur le gril.
3. Une légère couche d'huile appliquée sur tous les produits de viande avant de griller aidera aussi. L'utilisation d'un produit commercial en pulvérisateur pour la cuisson est utile également. Cette huile pulvérisée devrait être utilisée seulement avant l'allumage de votre gril mais jamais pendant la période de cuisson. L'utilisation d'un produit de cuisson pulvérisé peut laisser une tache noire sur certaines régions de votre grille de cuisson. Ceci n'est pas nuisible et n'affecte pas la cuisson; toutefois, si ceci devient un problème d'apparence, la meilleure façon d'enlever la décoloration est de mettre la grille de cuisson dans un four autonettoyant durant un cycle de nettoyage.

Stockage des grills à gaz naturel

Une fois que vous avez terminé la cuisson et que vous avez nettoyé votre gril, (voir la section Maintenance – pour le nettoyage), éteignez votre gril au niveau du bouton de commande de l'appareil. Nous vous recommandons fortement de fermer également la soupape de coupure installée sur la conduite d'approvisionnement en gaz lorsque le gril est inutilisé.

Lorsque le gril portatif va être stocké à l'intérieur, le raccord entre le tuyau et la conduite d'approvisionnement en gaz doit être déconnecté. Même si le raccord spécial arrêtera le débit de gaz lorsque le raccord du tuyau sera retiré, nous vous recommandons fortement de fermer l'approvisionnement en gaz avant de déconnecter l'ensemble du tuyau. Pour protéger le raccord de gaz, il est nécessaire d'insérer la fiche de plastique (fournie avec l'emballage du tuyau de 10') dans le raccord rapide femelle. L'extrémité mâle du tuyau doit être protégée en plaçant le bouchon de plastique (fourni avec l'emballage du tuyau de 10') sur le raccord de cuivre à l'extrémité du tuyau.

Orifice de la valve de gaz

⚠ AVERTISSEMENT: Toute altération apportée à l'orifice ou aux orifices, comme un agrandissement par percement, annulera votre garantie et pourrait entraîner des blessures graves, la mort, un incendie ou une explosion provoquant des dommages à la propriété.

PROBLÈME	VÉRIFICATION - SOLUTION	IMPORTANT
SYSTÈME D'ALLUMAGE	Assurez-vous qu'il y a écoulement de gaz vers tous les brûleurs en tentant d'allumer par allumette vos brûleurs. Si l'allumage par allumette réussi, le problème est ailleurs dans le système d'allumage et exigera une vérification.	
BRÛLEURS PRINCIPAUX DU GRIL	<p>⚠ ATTENTION: Fermez toujours la source d'alimentation en gaz (s'il est portable – à la bouteille, si installation de gaz naturel – au dispositif principal d'arrêt de gaz) avant de continuer avec toute procédure de dépannage.</p> <p>Si, pour tout raison, l'allumage par étincelle échoue en essayant d'allumer un brûleur principal du grill, répétez les procédures d'allumage décrites sur le panneau de contrôle du grill.</p> <p>⚠ AVERTISSEMENT: Le couvercle doit être en position d'ouverture complète en tout temps lorsque vous tentez d'allumer votre grill. L'omission d'ouvrir le couvercle pourrait entraîner un allumage retardé pouvant entraîner des blessures corporelles.</p> <p>Après la fermeture de l'alimentation principale de gaz, retirez la grille de cuisson et les plaques de distribution de chaleur. Tournez l'allumage par étincelle dans le sens anti-horaire et vérifiez si l'électrode s'étincelle au tube d'allumage. Essayez l'allumage par étincelle plusieurs fois.</p>	<p>Si le brûleur principal échoue encore à l'allumage, assurez-vous qu'il y a écoulement de gaz au(x) brûleur(s) en tentant d'allumer un brûleur avec une allumette. Si le brûleur s'allume par allumette, alors vérifiez le système d'allumage.</p> <p>Si pour tout raison le système d'allumage ne fonctionne toujours pas, suivez les instructions d'allumage par allumette.</p>
L'ALLUMAGE DU BRÛLEUR LATÉRAL NE FONCTIONNE PAS.	Le brûleur s'allume-t-il avec une allumette ?	Si une allumette allume le brûleur, vérifiez l'allumeur (voir la Section Maintenance du brûleur latéral).
BRÛLEURS AVEC FLAMME FAIBLE	Vérifiez pour vous assurer que les ports du brûleur, l'obturateur, l'extrémité du brûleur (venturi) et le(s) orifice(s) sont libres de toute obstruction. De plus, si votre grill a été entreposé pour une période de temps prolongée, vérifiez pour vous assurer qu'aucune toile d'araignée a été formée dans l'obturateur à l'extrémité du brûleur (venturi) ou au-dessus des orifices.	Si vous avez encore une flamme faible, veuillez contacter le détaillant pour assistance supplémentaire ou appelez le service à la clientèle au 1-800-DUCANES
<p>Si vous ne parvenez pas à résoudre les problèmes grâce à ces méthodes, veuillez contacter le Représentant du service client de votre région à l'aide des coordonnées disponibles sur notre site Internet. Connectez-vous sur www.ducane.com.</p>		

Oui! Vous avez payé beaucoup d'argent pour votre gril, mais même un gril dispendieux ne se nettoie ou ne s'entretient pas par lui-même, mais vous voulez qu'il paraisse bien et fonctionne correctement. C'est pourquoi cette section de votre manuel est si importante. Cette section vous donne l'information nécessaire pour vous aider à garder une apparence neuve et un fonctionnement optimal à votre gril. Lisez et suivez les instructions sur votre gril dans cette section pour faire durer votre investissement pendant encore plusieurs années.

Horaires d'entretien du gril de 90 jours

Il est recommandé qu'à chaque 90 jours, la procédure d'entretien qui suit soit respectée, mais il est absolument nécessaire d'exécuter cet entretien au moins une fois par année. De cette façon vous prolongerez la durée de vie de votre gril au gaz.

Nettoyage du couvercle

L'extérieur du couvercle doit se nettoyer avec un produit pour acier inoxydable. L'intérieur du couvercle peut se nettoyer avec de l'eau chaude additionnée de détergent liquide pour retirer les dépôts de graisse.

⚠ AVERTISSEMENT: N'utilisez pas le panneau de contrôle comme poignée pour lever le barbecue. Le fait de lever par le panneau de contrôle peut endommager les pièces liées au gaz et à l'électricité. Tout dommage aux pièces liées au gaz et à l'électricité peut provoquer des blessures graves ou mortelles et des dégâts matériels.

Nettoyage de l'acier inoxydable de la grille de cuisson

Pour assurer le bon fonctionnement du gril, nettoyez régulièrement la grille de cuisson en acier inoxydable.

1. L'acier inoxydable de la grille de cuisson peut être facilement nettoyé après la période post-chauffage. Fermez le gaz seulement 10 minutes après avoir terminé le post-chauffage. Ouvrez le couvercle avec une main recouverte et en utilisant une brosse de laiton, frottez la surface de la grille.

La grille de cuisson Ducane® en acier inoxydable a été construite d'un acier inoxydable solide et robuste. Vous trouverez que cette surface de cuisson est extrêmement durable tout en fournissant plus de chaleur directement à votre surface de cuisson pour une cuisson plus rapide et plus économique.

Nettoyage des plaques de distribution de chaleur

Vos plaques de distribution de chaleur en acier inoxydable devraient également être brossées en utilisant une brosse de laiton à manche longue. Ensuite, la même solution savonneuse mentionnée à l'étape 1 devrait être utilisée.

Nettoyage du boîtier du brûleur

Nettoyez la grille de cuisson et les plaques de distribution de chaleur lorsque enlevées du boîtier du brûleur. Éliminez tout cendre ou dépôt sur le boîtier du brûleur en utilisant de l'eau chaude savonneuse et un linge doux. Permettez de sécher avant de replacer toutes les pièces.

Une petite quantité de graisse peut s'accumuler sur le dessus du boîtier du brûleur.

La graisse peut être grattée et jetée avec un couteau multi-usage. Utilisez la même solution savonneuse de la page 32 pour nettoyer après avoir gratté.

La cuisson prolongée avec le couvercle en position baissée peut causer une accumulation de graisse à l'intérieur du couvercle qui commencera à s'écailler (ceci n'est pas de la peinture). Si ceci se développe, nettoyez l'intérieur du couvercle avec une solution chaude d'eau et de savon. Soyez prudent pour ne pas mouiller le brûleur.

Conservation de votre cabinet, de votre panneau de contrôle et de votre/vos étagère(s)

Votre cabinet, votre panneau de contrôle et vos étagères sont fabriqués à partir d'acier inoxydable. Garder une belle apparence à l'acier inoxydable est une affaire simple. Nettoyez-le avec du savon et de l'eau, rincez avec de l'eau claire et essuyez. C'est facile. Nous recommandons l'utilisation d'une solution de savon à vaisselle liquide dilué avec de l'eau. Pour les particules rebelles, une brosse non métallique peut être utilisée. N'utilisez pas de brosses à poil de métal sur votre étagère de cuisson.

IMPORTANT

- Éloignez et dégazez l'appareil de matériaux combustibles, d'essence et d'autres vapeurs et liquides inflammables en tout temps.
- Ne placez pas votre gril de telle manière à créer de l'obstruction à l'écoulement d'air de combustion et de ventilation autour du gril.
- Lors de votre horaire d'entretien régulier, assurez-vous que toutes les ouvertures de ventilation sont libres et dégagées de débris.

⚠ ATTENTION: N'utilisez pas de brosse à poil de métal ou de nettoyeurs abrasifs sur le couvercle, le cabinet et les étagères de votre gril puisque ceci éraflera la surface.

⚠ ATTENTION: En nettoyant les surfaces, assurez-vous de frotter dans la direction des grains pour préserver le fini de surface de votre acier inoxydable.

Feux de graisse

Les recommandations de la section Entretien concernant le nettoyage de votre gril, et de la section Fonctionnement normal concernant le préchauffage et le post-chauffage de votre gril sont extrêmement importantes pour deux raisons :

1. Maintenir une qualité de cuisson supérieure sur votre gril en gardant les surfaces de cuisson et les composants transmettant la chaleur en condition propre. Gardez votre gril propre est la meilleure façon pour obtenir une cuisson de qualité sur votre gril.
2. Pour des raisons de sécurité. Un gril sale est plus susceptible d'avoir des feux de graisse.

Dépendamment de la quantité de cuisson, des types d'aliments cuits, de la quantité de préchauffage et de post-chauffage et de la quantité de nettoyage du gril, tout gril peut être susceptible aux feux de graisse. L'accumulation de gras de viande, de marinades de cuisson, de sauces badigeonnées, de sels, etc., peut allumer un feu de graisse violent. Si un feu de graisse se produirait sur le gril Ducane®, des flammes seraient probablement vues sous le boîtier du brûleur. Un feu de graisse violent pourrait brûler un tuyau ou un régulateur, ce qui permettrait au gaz d'alimenter le feu et, manifestement, empirer le feu.

Tout type de feu exige que les composants du gril (tuyau, régulateurs, bouteille de propane, etc.) impliqués soient vérifiés pour poursuivre le fonctionnement sécuritaire. Si une fuite est suspecte, le système d'alimentation en gaz (tuyau, collecteur, bouteille, raccords, etc.) doit être testé pour des fuites en utilisant une solution d'eau savonneuse, pour vérifier la source de la fuite. Si aucune fuite n'est trouvée, alors le problème était probablement un feu de graisse.

Un feu de graisse peut être assez violent pour endommager votre gril et/ou causer des dommages matériels et/ou causer des blessures corporelles. La compagnie Ducane ne veut pas que cette situation survienne et vous non plus. Suivez nos recommandations de nettoyage pour éviter les feux de graisse.

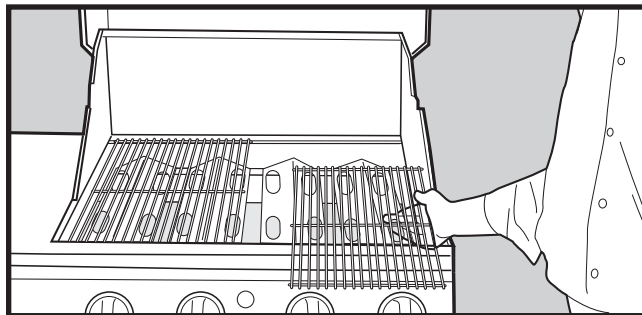
⚠ AVERTISSEMENT: Vérifiez le plateau à graisse, pour une accumulation de graisse avant chaque utilisation. Retirez l'excès de graisse pour éviter un feu de graisse.

MAINTENANCE ANNUELLE

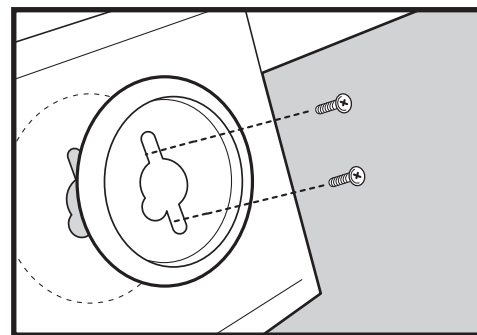
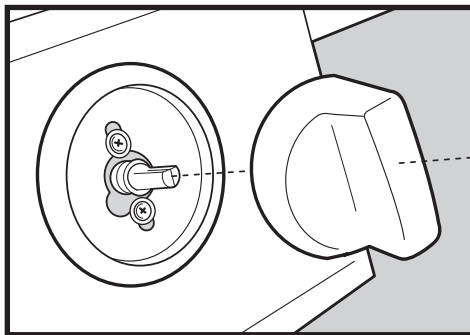
Inspection et nettoyage de l'écran contre les araignée/insectes

Pour inspecter l'écran contre les araignée/insectes.

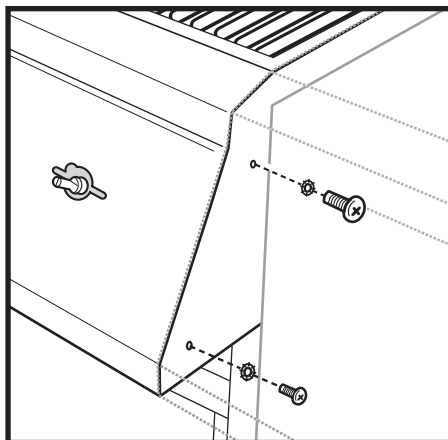
1. Tournez à "OFF" (FERMÉE) le gaz à la source.
2. Retirez la grille de cuisson et les plaques de distribution de chaleur pour révéler les tubes de brûleur.



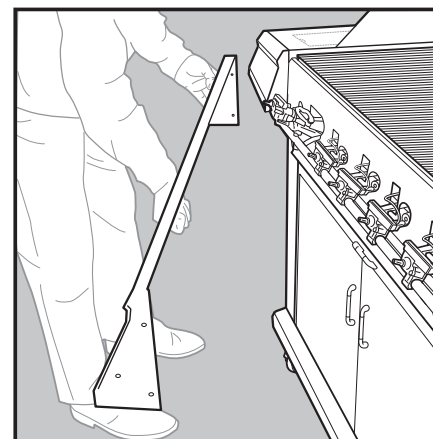
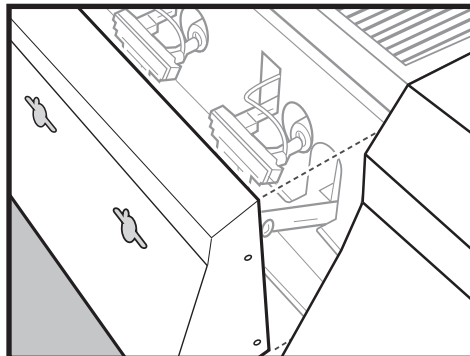
3. Enlevez les deux (2) vis et rondelles qui retiennent chaque valve sur le panneau de contrôle et le cadran de la manette.



4. Desserrez le panneau de contrôle en retirant deux (2) vis à chaque bout.

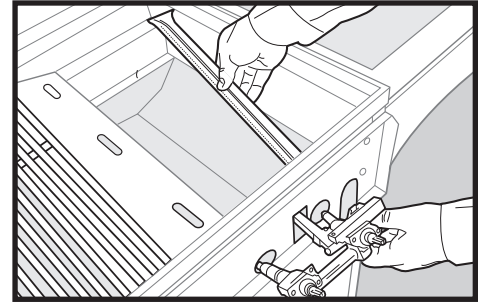
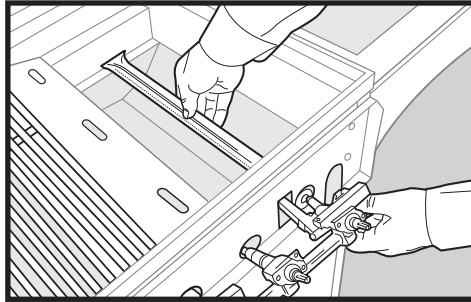


5. Tirez le panneau de contrôle pour le dégager du gril de quelques centimètres.



MAINTENANCE ANNUELLE

Vous pouvez maintenant retirer un tube du brûleur pour inspection.

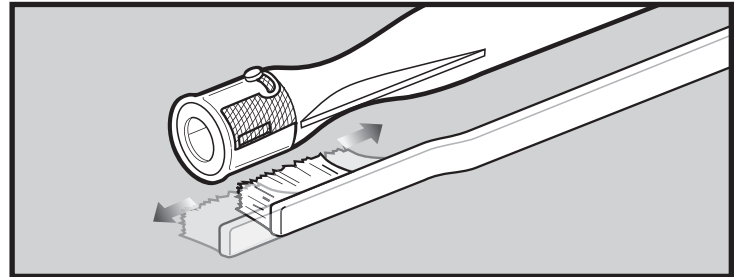


S'il y a de la poussière ou de la saleté sur les écrans, brossez délicatement le(s) écran(s) contre les araignées/insectes avec une brosse à poil doux (exemple: une vieille brosse à dent).

⚠ ATTENTION: Ne nettoyez pas l'écran contre les araignée/insectes avec des outils durs ou tranchants. Ne délogez pas l'écran contre les araignée/insectes ou n'agrandissez pas les ouvertures de l'écran.

Si l'écran contre les araignée/insectes s'endommage ou ne peut pas être nettoyé, appelez le service à la clientèle chez Ducane au 1-800-382-2637 pour des pièces de remplacement.

Pour assembler de nouveau, inversez les étapes 2 à 4 de la page précédente.



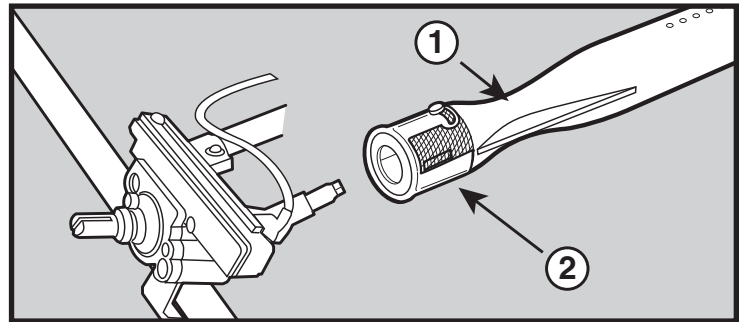
Nettoyage des Grilles anti araignées/insectes

Votre barbecue à gaz Ducane®, comme tout appareil à gaz d'extérieur, constitue une cible pour les araignées et les autres insectes. Ceux-ci peuvent faire leur nid dans la section du diffuseur (1) des tubes du brûleur. Ceci obstrue le débit normal du gaz, et peut provoquer le retour du gaz vers l'obturateur d'air. Ceci pourrait provoquer un incendie à l'intérieur et à proximité des obturateurs d'air, au-dessous du panneau de commande, provoquant des détériorations graves de votre barbecue. L'obturateur d'air du tube du brûleur est équipé d'une grille en acier inoxydable (2) afin d'empêcher les araignées et les autres insectes d'accéder aux tubes du brûleur à travers les ouvertures des obturateurs d'air.

Nous vous recommandons d'inspecter les Grilles anti araignées/insectes au moins une fois par an. De même, inspectez et nettoyez les Grilles anti araignées/insectes si vous constatez l'un des symptômes suivant :

1. L'odeur du gaz en association avec un aspect jaune et peu mobile des flammes du brûleur.
2. Le barbecue n'atteint pas la température.
3. Le barbecue ne chauffe pas uniformément.
4. Un ou plusieurs brûleurs ne s'allume(nt) pas.

⚠ DANGER: Le fait de ne pas corriger les symptômes mentionnés ci-dessus peut entraîner un incendie, susceptible de provoquer des blessures graves ou la mort, et provoquer des dommages à la propriété.

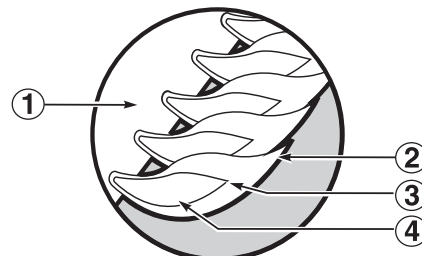


Aspect de la flamme du brûleur principal

Les brûleurs du barbecue à gaz Ducane® ont été réglés en usine pour le mélange correct d'air et de gaz. L'aspect de flamme correct est présenté.

1. Tube du brûleur
2. Les extrémités vacillent en jaune de temps à autre
3. Légèrement bleue
4. Bleu foncée

Si les flammes ne semblent pas uniformes tout au long du tube du brûleur, appliquez la procédure de nettoyage du brûleur principal.

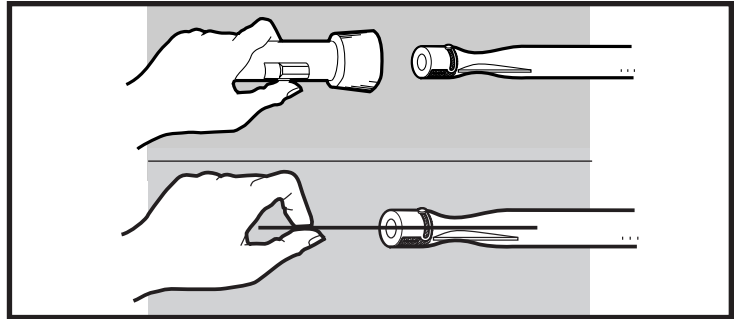


MAINTENANCE ANNUELLE

Nettoyage du brûleur principal

- Pour nettoyer les ports de gaz de vos brûleurs principaux, utilisez une brosse à poils durs pour brosser les orifices.
- Reportez vous à: **Inspection et nettoyage des grilles anti-araignées/insectes** pour le retrait du tube du brûleur.
- Vous pouvez maintenant soulever le tube du brûleur pour le sortir de son boîtier et l'inspecter à l'intérieur avec une lampe torche.
- Nettoyez l'intérieur des brûleurs au moyen d'un fil de fer (un portemanteau déplié fera l'affaire). Vérifiez et nettoyez les ouvertures du clapet d'arrivée d'air aux extrémités des brûleurs.
- Vérifiez et nettoyez les orifices des valves, sur les valves. Utilisez une brosse à poils durs en acier pour nettoyer l'extérieur des brûleurs. Ceci vous permet de vous assurer que tous les ports du brûleur sont complètement ouverts.

⚠ AVERTISSEMENT: N'élargissez pas les ports du brûleur lorsque vous le nettoyez.



Remplacement des brûleurs principaux

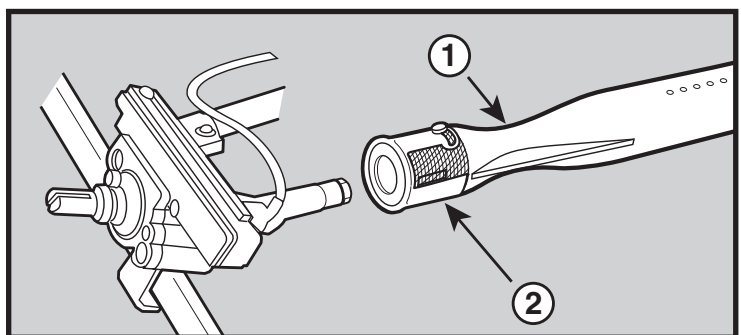
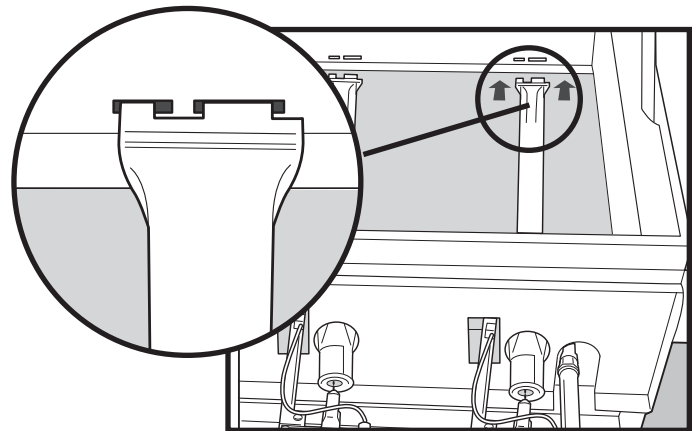
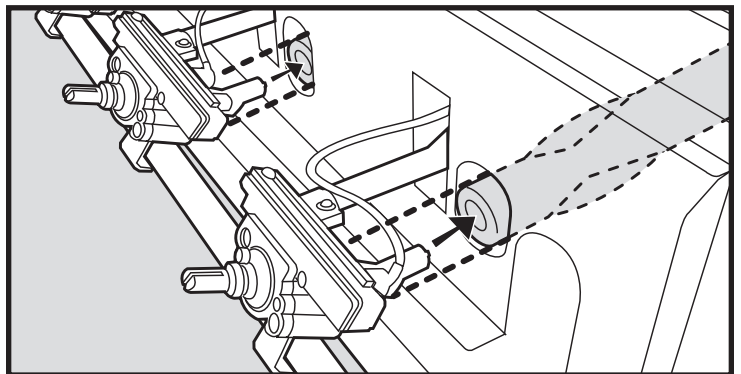
1. Votre barbecue à gaz Ducane® doit être éteint ("OFF") et refroidi.
2. Fermez le gaz à la source ("OFF").
3. Retirez la grille de cuisson et les plaques de distribution de chaleur, exposant ainsi les tubes du brûleur.
4. Retirez les boutons du panneau avant, les collerettes d'encastrement et le Module d'allumage électronique des brûleurs.
5. Retirez ensuite le panneau avant.

Voir: **Inspection des Grilles anti araignées/insectes** pour le retrait des tubes du brûleur.

Pour le remontage, inversez les étapes 3 à 5 ci-dessus.

⚠ ATTENTION: Les orifices du brûleur (1) doivent être positionnés correctement au-dessus des orifices de la valve (2). Vérifiez que le montage est correct avant de fixer le collecteur/panneau avant en place.

⚠ AVERTISSEMENT: Après la réinstallation des conduites de gaz, celles-ci devraient faire l'objet d'une vérification à l'aide d'une solution d'eau savonneuse avant toute utilisation du barbecue.



⚠ ATTENTION: This product has been safety tested and is only certified for use in a specific country. Refer to country designation located on outer carton.

These parts may be gas carrying or gas burning components. Please contact a Ducane Customer Service Representative in your area for genuine Ducane replacement part(s) information by calling 1-800-382-2637.

⚠ WARNING: Do not attempt to make any repair to gas carrying or gas burning components without contacting Ducane. Your actions, if you fail to follow this product Warning, may cause a fire or an explosion resulting in serious personal injury or death and damage to property.

⚠ ATENCIÓN: A este producto se le han realizado pruebas de seguridad y ha sido certificado para usarse en un país específico. Refiérase al país indicado en la parte externa del cartón de empaque.

Estas partes pueden ser componentes que transporten gas o lo quemen. Por favor póngase en contacto con el Representante de Atención al Cliente de Ducane en su área llamando al 1-800-382-2637 para solicitarle partes de repuesto Ducane genuinas.

⚠ ADVERTENCIA: No trate de reparar ningún componente que transporte o queme gas sin antes contactar a Ducane. Si no llegase a acatar esta advertencia, sus acciones podrían causar un fuego o una explosión que resulte en lesiones personales serias o la muerte o daños a la propiedad.

⚠ ATTENTION: La sécurité de ce produit a été testée et celui-ci n'est certifié que pour une utilisation dans un pays spécifique. Veuillez vous reporter à la désignation de pays figurant sur le carton d'emballage.

Ces pièces sont susceptibles d'être des composants transportant ou brûlant du gaz. Veuillez contacter un Représentant du service clientèle de Ducane près de chez vous pour obtenir des renseignements sur les véritables pièces de rechange Ducane en téléphonant au 1-800-382-2637.

⚠ AVERTISSEMENT: Ne faites aucune tentative de réparation sur des composants transportant ou brûlant du gaz sans contacter Ducane. Si vous ne respectiez pas cette mise en garde concernant le produit, vos actions risqueraient de provoquer un incendie ou une explosion provoquant des blessures graves ou la mort ainsi que des dommages à la propriété.



Register your grill online at www.ducane.com. (If you register online, you do not need to send in this registration card.)

Thank you for purchasing a Ducane® Affinity® S™ gas grill. Completing the information on this form will allow us to contact you on matters related to your grill. Thank you very much for providing the information below.

Note: Often times when you fill out a form like this, you end up receiving unwanted solicitations from companies you don't know. We respect your privacy. We will not sell, rent, or distribute your name, address, or personal information to other companies at any time. This information will only be used in the event we need to contact you and for market research purposes.

RNS01-01

1. PLEASE PRINT

First Name, M.I., Last Name, Address, Apt. No.

City, State, Zip Code

Phone () - -

E-mail Address

2. Serial Number:

3. Model Number:

4. When did you purchase your grill? Month Day Year

5. Without tax, how much did you pay for it? \$.00

6. Is this grill. . .

The first grill you have ever owned? A replacement for an old or broken gas grill? A replacement for an old or broken charcoal grill? An additional grill for your household?

7. What brand of grill did you own most recently?

This is the first grill I have owned, Weber charcoal grill, Thermos gas grill, Ducane gas grill, Weber gas grill, Fiesta gas grill, Ducane portable grill, Char-Broil gas grill, Other, Weber portable grill, Sunbeam gas grill

8. Which best describes your interest in grilling?

I'm a grilling fanatic, I moderately enjoy grilling, I enjoy grilling very much, but I'm not fanatical about it, I'm only marginally interested in grilling

Knowing more about who buys our grills helps us develop new and innovative products. Please complete the questions you feel comfortable answering, and pass by any question you prefer to leave blank. Again, this information is not sold or rented.

9. Gender: Male Female

10. Marital Status: Married Single

11. Date of Birth: Month Day Year

12. Including yourself, how many people live in your household? Adults Children

13. What are the ages of the children living at home?

Age 2 and under, Age 5 to 12, Age 3 to 4, Age 13 to 17

14. Do you own or rent a home? Own Rent

15. What is the highest level of education you completed?

Some high school, Earned a college degree, Earned a high school diploma, Earned a graduate degree

16. What is your total annual household income?

Under \$15,000, \$15,000 - 24,999, \$25,000 - 29,999, \$30,000 - 34,999, \$35,000 - 39,999, \$40,000 - 44,999, \$45,000 - 49,999, \$50,000 - 59,999, \$60,000 - 74,999, \$75,000 - 99,999, \$100,000 - 149,999, \$150,000 - 174,999, \$175,000 - 199,999, \$200,000 - 249,999, \$250,000 - 299,999, \$300,000 or more

17. Which activities or interests do you enjoy?

Arts/antiques, Camping/hiking, Needlework, Attending cultural arts/events, Biking/bicycling, Foreign travel, My cat, Shopping by mail order/catalog, Boating/sailing, Gardening/plants, My dog, Listening to music on my CD player, Buying videos, Veterans' affairs, Snow skiing, Listening to music on any device, Walking, Politics, Stocks and bonds, Physical fitness/exercise, Fishing, The grandchildren, Personal computers, Subscribing to cable TV, Running, Houseplants, Photography, Watching sports on TV, Dieting, Hunting, Tennis, Other, Golf, Motorcycles, Donating to charity

PLEASE SEAL WITH TAPE BEFORE MAILING—NO STAPLES PLEASE

Fold Over Here

Please send products and
other correspondence to:

1890 North Roselle Rd.
Schaumburg, IL 60195
USA

First-Class
Postage
Required
Post Office will
not deliver
without proper
postage.

RNS01-01

DUCANE[®]
Affinity S[™]

**1890 NORTH ROSELLE RD.
SCHAUMBURG, IL 60195
USA**